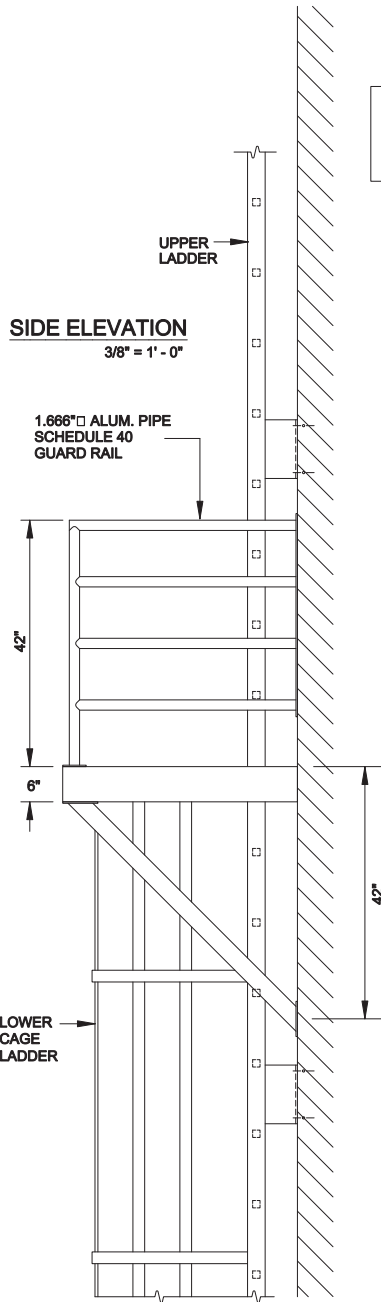
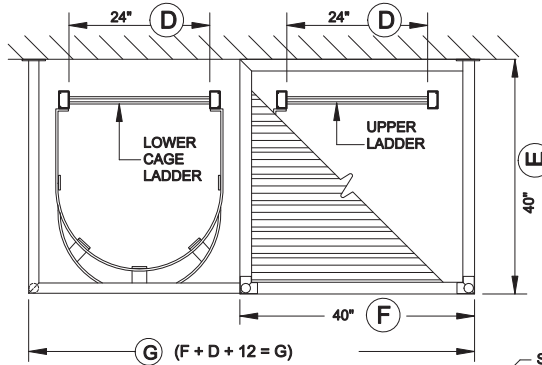


SIDE ELEVATION

3/8" = 1' - 0"

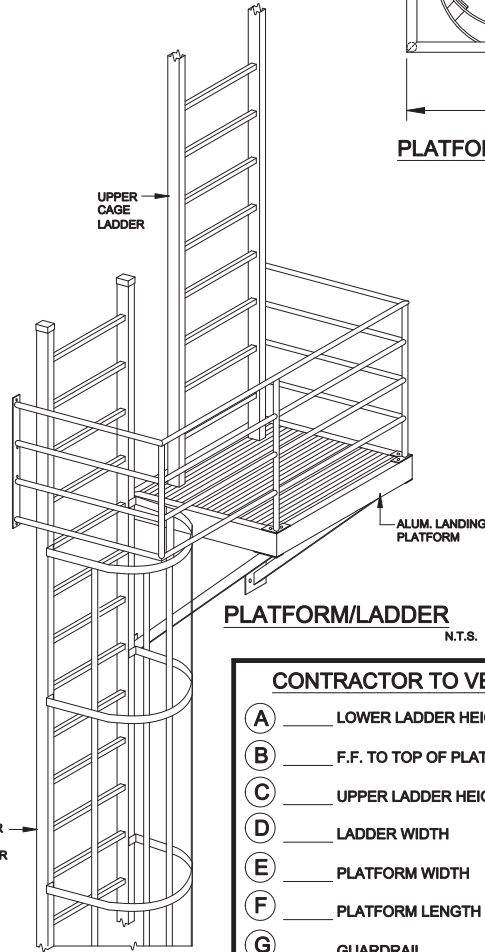


PLATFORM WITH:
LOWER LADDER IS MORE THAN 20' - 0" HEIGHT
UPPER LADDER IS LESS THAN 20' - 0" HEIGHT



PLATFORM PLAN

3/8" = 1' - 0"



PLATFORM/LADDER

N.T.S.

CONTRACTOR TO VERIFY:

- (A) LOWER LADDER HEIGHT
- (B) F.F. TO TOP OF PLATFORM
- (C) UPPER LADDER HEIGHT
- (D) LADDER WIDTH
- (E) PLATFORM WIDTH
- (F) PLATFORM LENGTH
- (G) GUARDRAIL

APPROVED BY: _____

DATE _____

UPPER LADDER

SAFETY END CAP

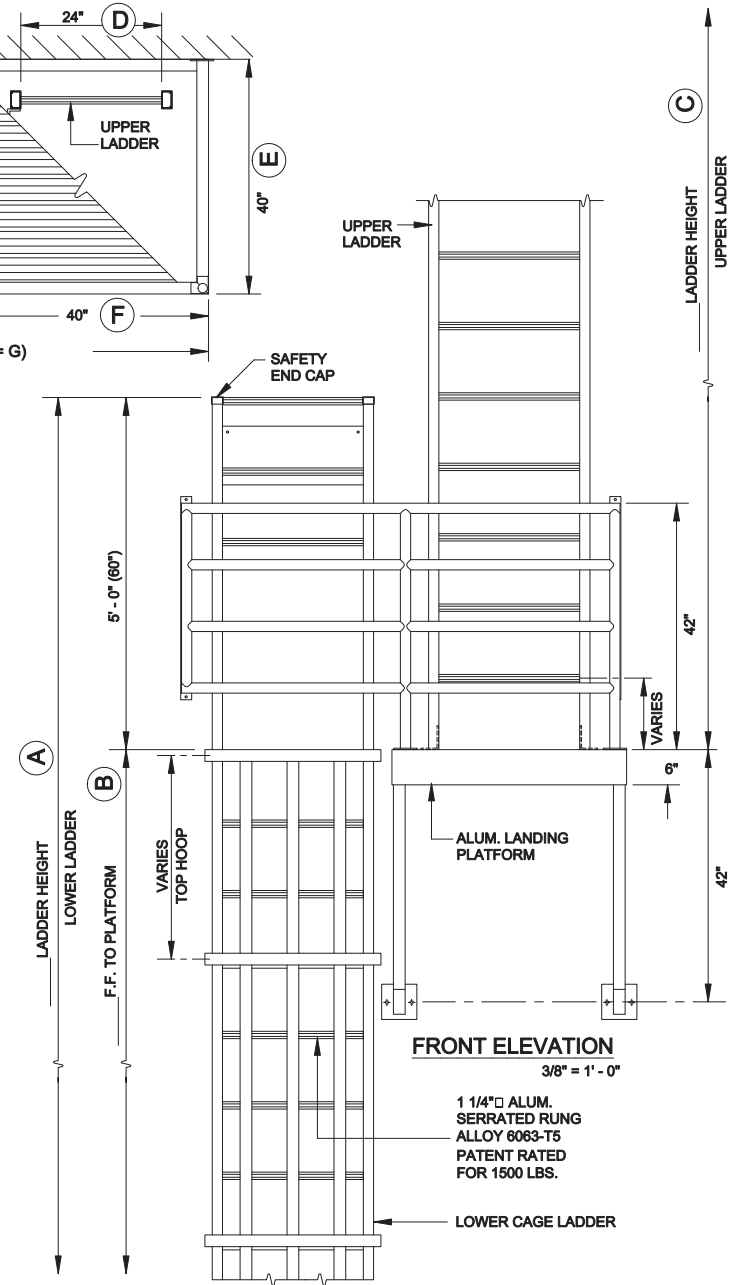
ALUM. LANDING PLATFORM

FRONT ELEVATION

3/8" = 1' - 0"

1 1/4" ALUM. SERRATED RUNG ALLOY 6063-T5 PATENT RATED FOR 1500 LBS.

LOWER CAGE LADDER



325 NEWHALL STREET
SAN FRANCISCO, CA 94124
TEL. (415)824-4900
FAX. (415)824-5900

____ QUANTITY

- CLEAR ANODIZED
- BRONZE ANODIZED
- BLACK ANODIZED
- MILL FINISH
- POWDER COATING
- POWDER COATING

SALE NO.

DATE :