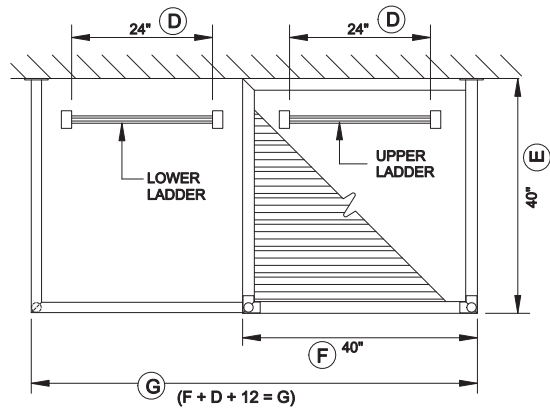
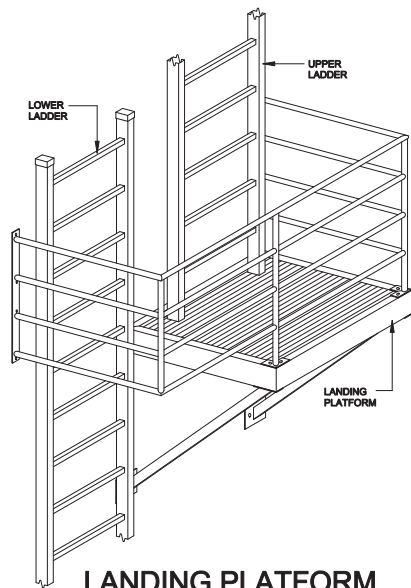


SIDE ELEVATION
3/8" = 1' - 0"

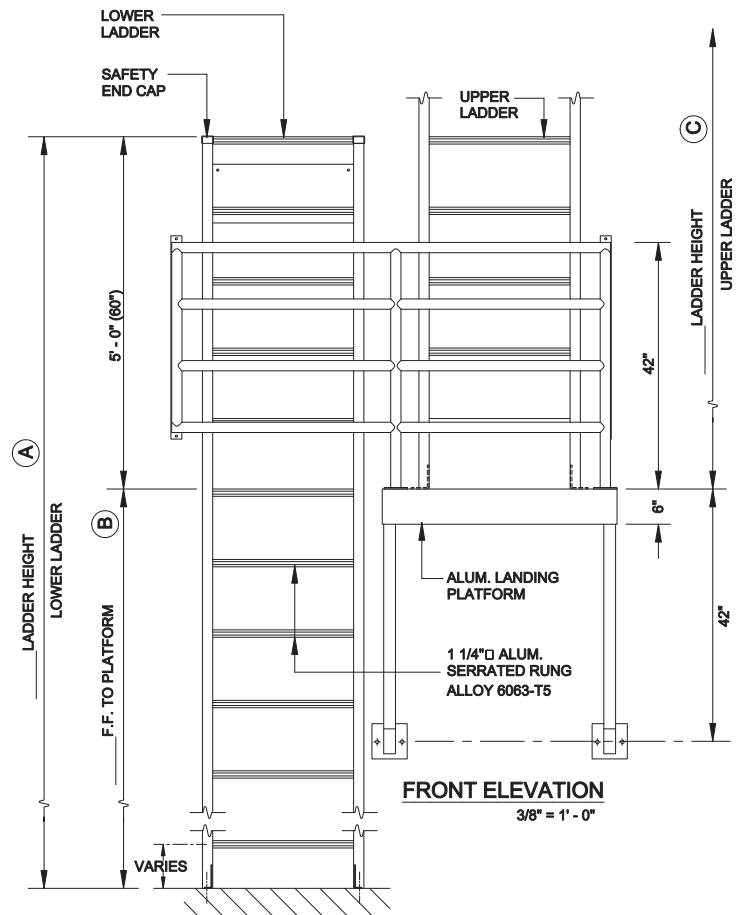


LANDING PLATFORM PLAN VIEW
3/8" = 1' - 0"



LANDING PLATFORM

N.T.S.



FRONT ELEVATION
3/8" = 1' - 0"

PLATFORM WITH:
LOWER LADDER IS LESS THAN 20' - 0" HEIGHT
UPPER LADDER IS LESS THAN 20' - 0" HEIGHT

CONTRACTOR TO VERIFY:

- (A) _____ LOWER LADDER HEIGHT
- (B) _____ F.F. TO TOP OF PLATFORM
- (C) _____ UPPER LADDER HEIGHT
- (D) _____ LADDER WIDTH
- (E) _____ PLATFORM WIDTH
- (F) _____ PLATFORM LENGTH
- (G) _____ GUARDRAIL

APPROVED BY: _____

DATE _____



O'KEEFFE'S, INC.

325 NEWHALL STREET TEL: (415) 824-4900
SAN FRANCISCO, CA 94124 FAX: (415) 824 5900

LANDING PLATFORM

- | | | |
|----------------|--|---|
| _____ QUANTITY | <input type="checkbox"/> CLEAR ANODIZED | <input type="checkbox"/> MILL FINISH |
| | <input type="checkbox"/> BRONZE ANODIZED | <input type="checkbox"/> POWDER COATING |
| | <input type="checkbox"/> BLACK ANODIZED | <input type="checkbox"/> POWDER COATING |

SALE NO.

DRAWN :

DATE :

SHEET : _____ OF _____