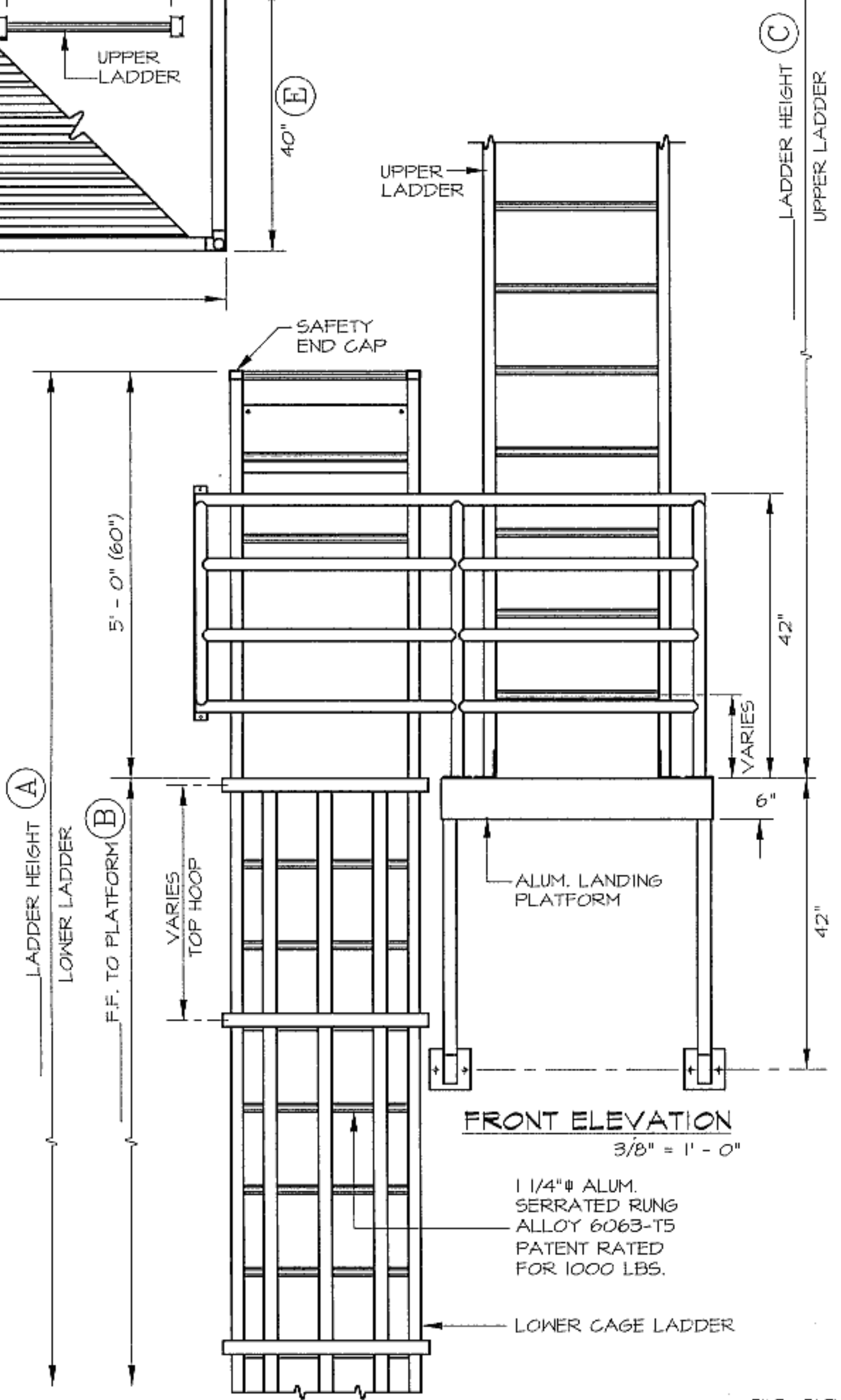
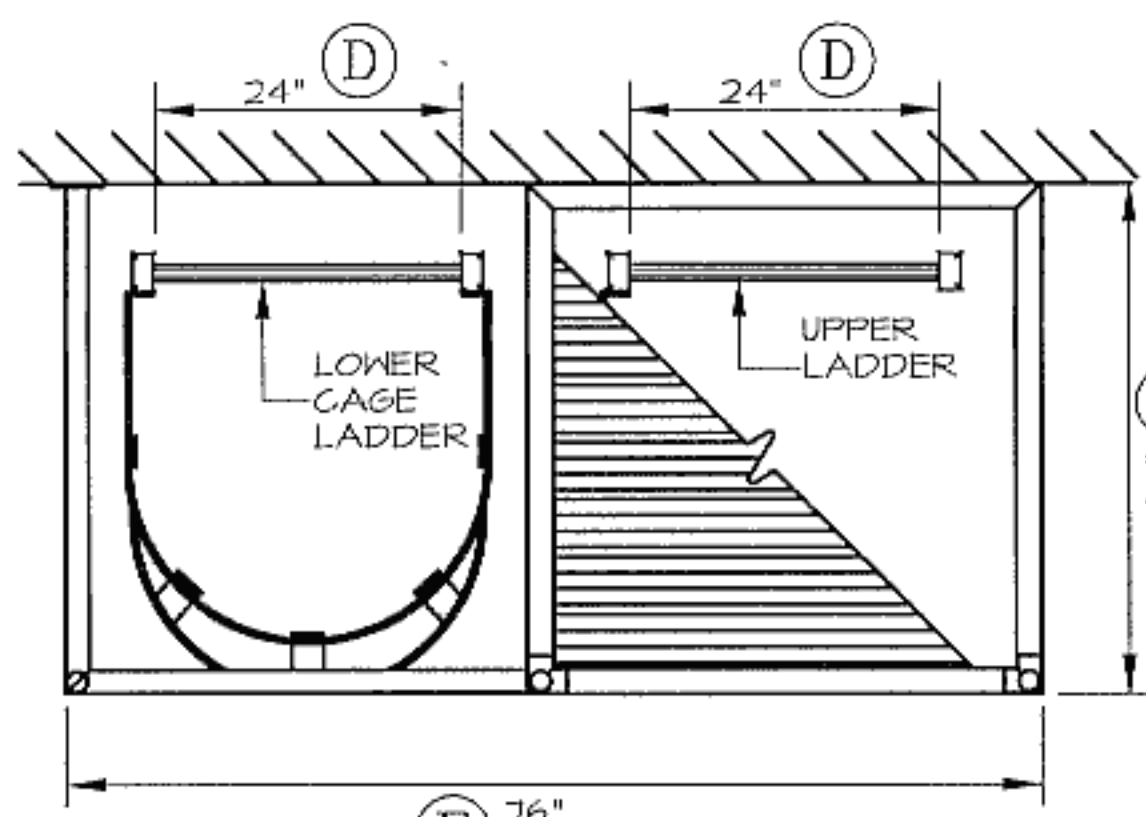
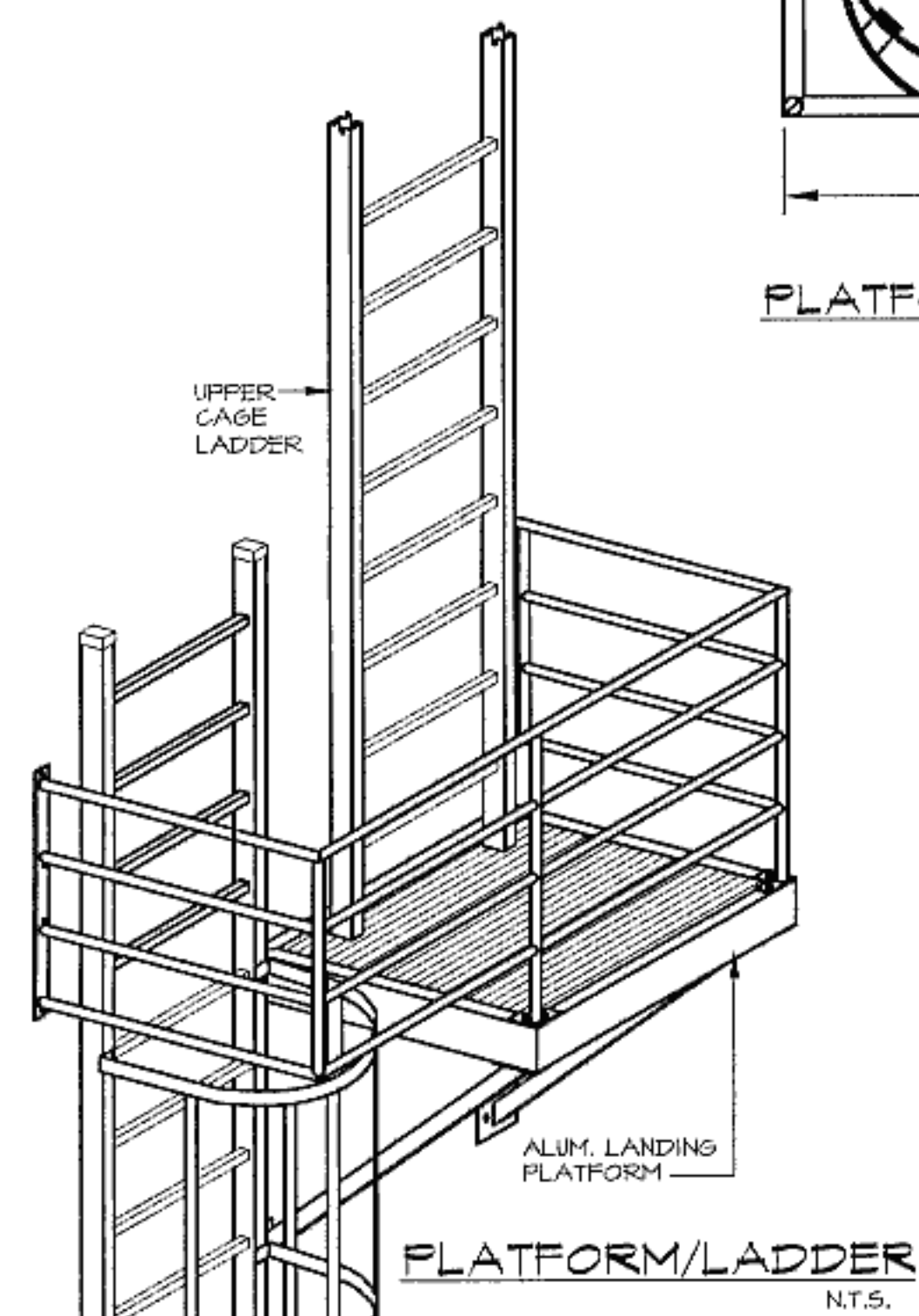


PLATFORM WITH:  
LOWER LADDER IS MORE THAN 20' - 0" HEIGHT  
UPPER LADDER IS LESS THAN 20' - 0" HEIGHT



- CONTRACTOR TO VERIFY:**
- (A) \_\_\_\_\_ LOWER LADDER HEIGHT
  - (B) \_\_\_\_\_ F.F. TO TOP OF PLATFORM
  - (C) \_\_\_\_\_ UPPER LADDER HEIGHT
  - (D) \_\_\_\_\_ LADDER WIDTH
  - (E) \_\_\_\_\_ PLATFORM WIDTH
  - (F) \_\_\_\_\_ PLATFORM LENGTH