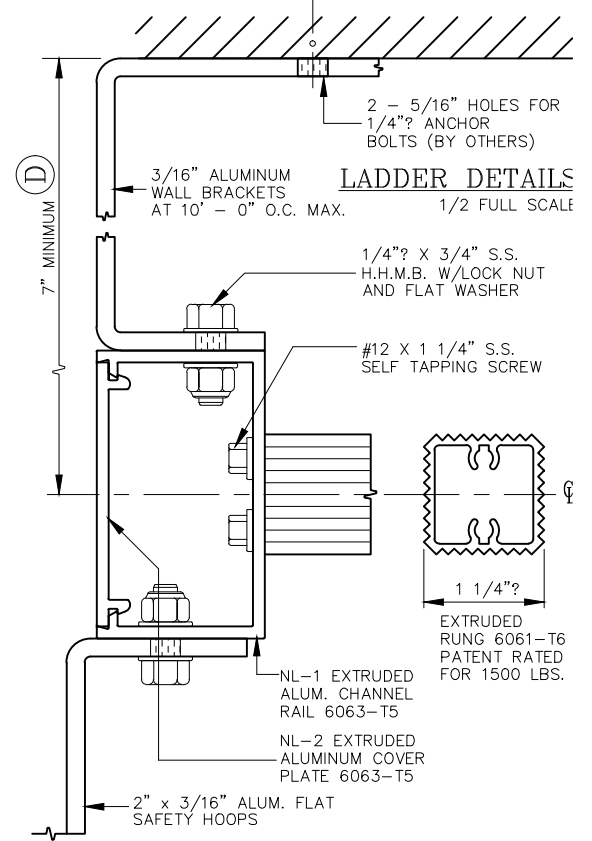


CONTRACTOR TO VERIFY:

(A1) _____ OVERALL LADDER HEIGHT
 (A2) _____ F.F. TO TOP OF PARAPET
 (B) _____ ROOF TO TOP OF PARAPET
 (C) _____ PARAPET WIDTH
 (D1) _____ WALL TO ? OF LADDER
 (D2) _____ WALL TO ? OF LADDER
 (E) _____ LADDER WIDTH

APPROVED BY: _____
 DATE: _____



O'KEEFFE'S, INC.

325 NEWHALL STREET TEL: (415) 824-4900
 SAN FRANCISCO, CA 94124 FAX: (415) 824 5900

**HEAVY DUTY TUBULAR RAIL ALUMINUM CAGE LADDER
 HIGH PARAPET ACCESS WITH PLATFORM & RETURN MODEL 533**

- | | |
|---|---|
| _____ QUANTITY | <input type="checkbox"/> ALTERNATE BOTTOM SUPPORT |
| <input type="checkbox"/> SECURITY DOOR | <input type="checkbox"/> MILL FINISH <input type="checkbox"/> BRONZE ANODIZED |
| <input type="checkbox"/> INTERMEDIATE BRACKET | <input type="checkbox"/> POWDER COATING <input type="checkbox"/> CLEAR ANODIZED |

SALE No. _____
 DRAWN : _____
 DATE : _____
 SHEET : _____ OF _____