

CONTRACTOR TO VERIFY:

(A1) _____ OVERALL LADDER HEIGHT

(A2) _____ LADDER HEIGHT

(B) _____ LADDER ANGLE

(C) _____ LADDER WIDTH

(D) _____ PLATFORM DIMENSION

(E) _____ LADDER RETURN HEIGHT

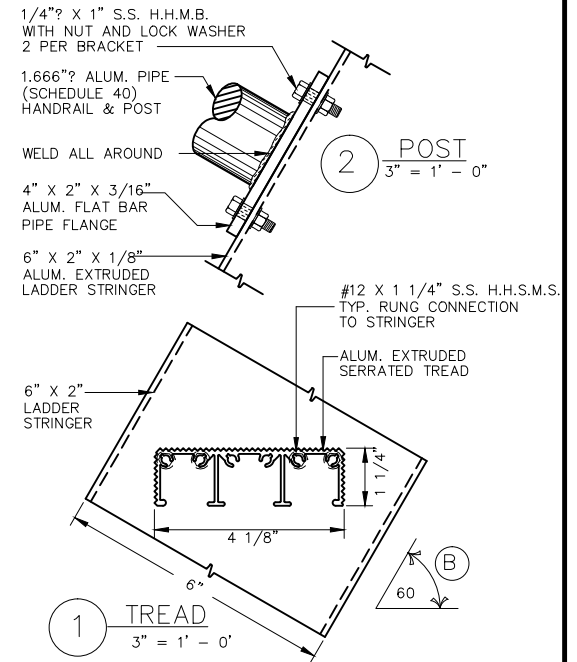
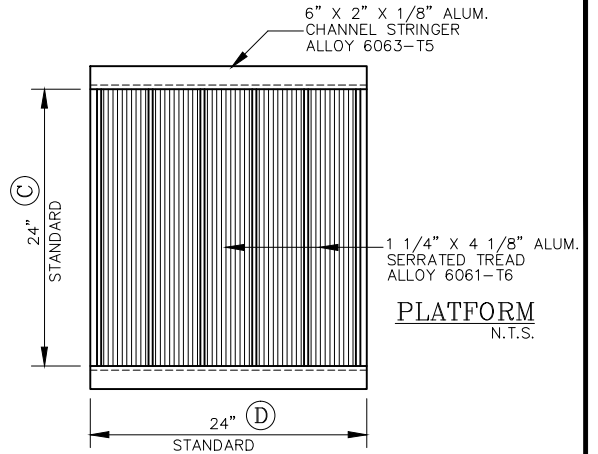
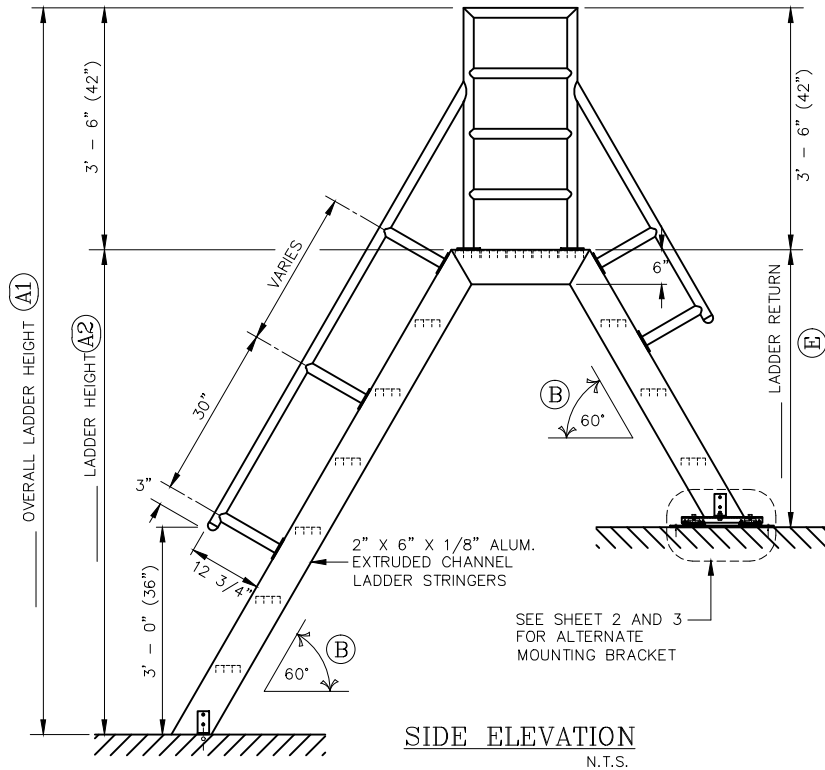
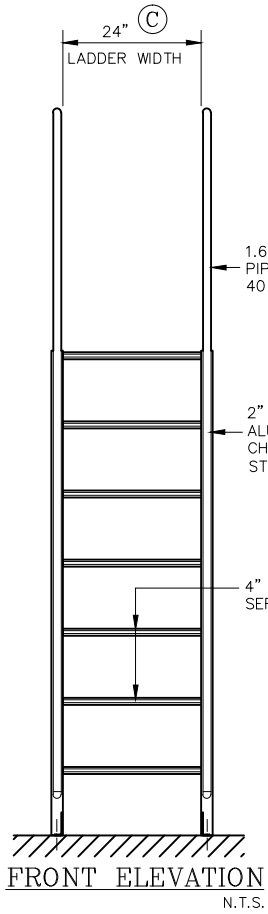
NOTE:

* ALL BOLTS/FASTENERS NECESSARY TO ANCHOR LADDER BY OTHERS

* PIPE HANDRAIL TO BE FIELD ASSEMBLED

APPROVED BY: _____

DATE _____



O'KEEFFE'S, INC.

325 NEWHALL STREET TEL: (415) 824-4900
SAN FRANCISCO, CA 94124 FAX: (415) 824 5900

ALUMINUM SHIPS LADDER WITH PLATFORM & RETURN
MODEL 522A WITH 60° ANGLE

_____ QUANTITY

MILL FINISH BRONZE ANODIZED

POWDER COATING CLEAR ANODIZED

SALE NO. _____

DRAWN BY: _____

DATE: _____

SHEET: _____ OF _____