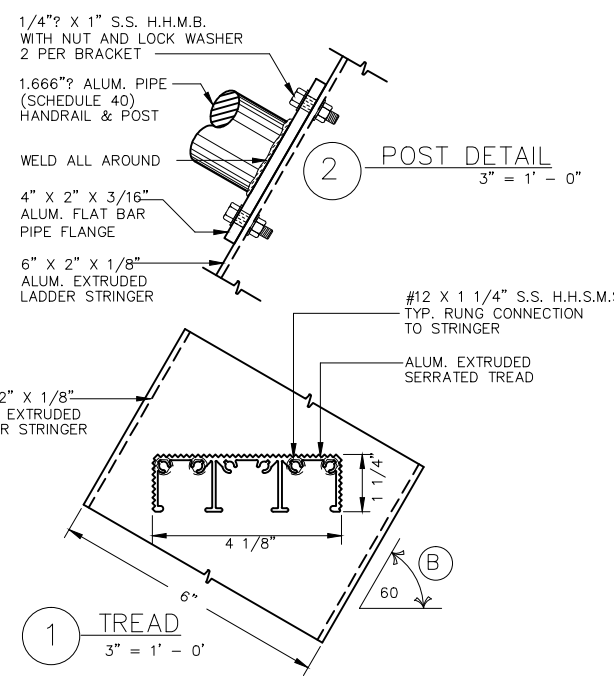
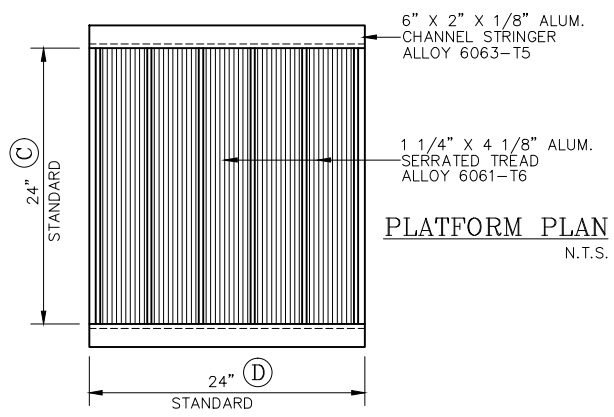
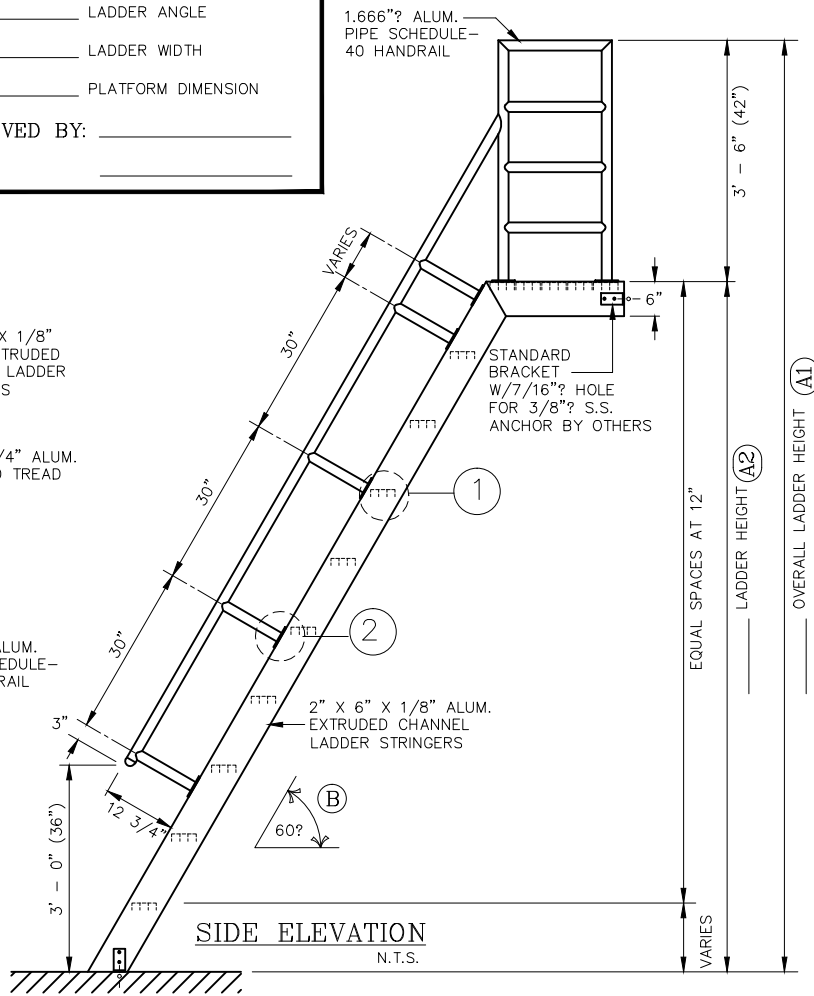


CONTRACTOR TO VERIFY:

(A1) _____ OVERALL LADDER HEIGHT
 (A2) _____ LADDER HEIGHT
 (B) _____ LADDER ANGLE
 (C) _____ LADDER WIDTH
 (D) _____ PLATFORM DIMENSION

APPROVED BY: _____
 DATE _____

NOTE:
 * ALL BOLTS/FASTENERS NECESSARY TO ANCHOR LADDER BY OTHERS
 * PIPE HANDRAIL TO BE FIELD ASSEMBLED



OK O'KEEFFE'S, INC.
 325 NEWHALL STREET TEL: (415) 824-4900
 SAN FRANCISCO, CA 94124 FAX: (415) 824 5900

ALUMINUM SHIPS LADDER WITH PLATFORM
 MODEL 521A WITH 60° ANGLE

_____ QUANTITY

MILL FINISH BRONZE ANODIZED
 POWDER COATING CLEAR ANODIZED

SALE NO. _____
 DRAWN : _____
 DATE : _____
 SHEET : _____ OF _____