

HL-21 ALUM. CAP
MITERED & WELDED
AT CORNERS

1/8" X 3/8"
FOAM GLAZING
TAPE

#8 X 3/4" LONG
HEX HEAD TEK
SCREWS AT 24"
ON CENTER

WEEP HOLES

#12 X 1 1/4"
STAINLESS
STEEL SHEET
METAL SCREW

WEEP HOLES
AT RAFTERS
AND CORNERS
(TO LOW SIDE)

MASTIC BEDDING
TAPE (BY OTHERS)

FASTENER
(BY OTHERS)

HL-35
ALUM. SILL

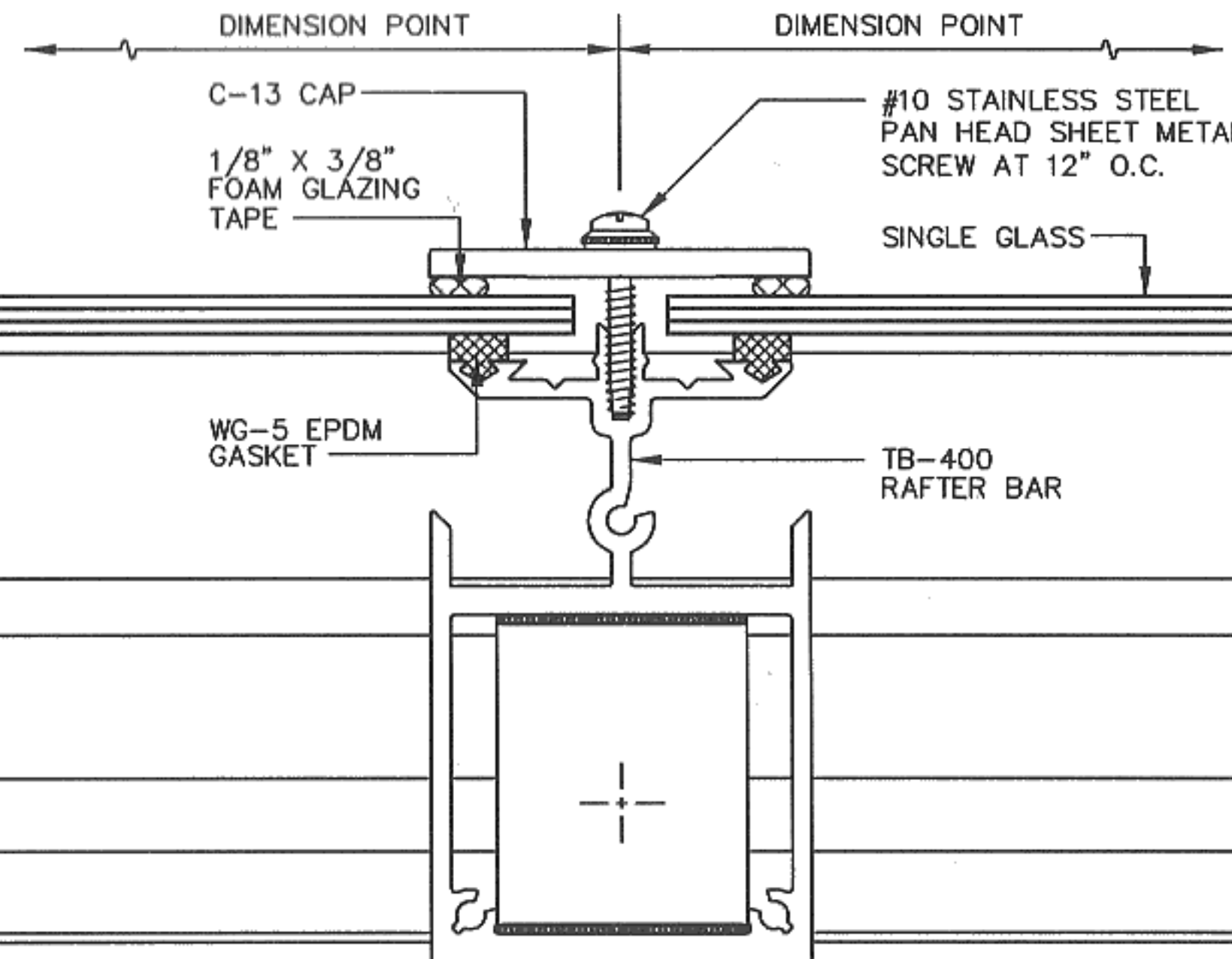
MATERIAL &
CONSTRUCTION
BY OTHERS

WELDING

.125" ALUM.
PLATE WELDED
INSIDE TB-400

M.D.
O.D. CURB
(CONTRACTOR TO VERIFY OR GUARANTEE)

1 CURB MOUNTED SILL
1/2 FULL SCALE

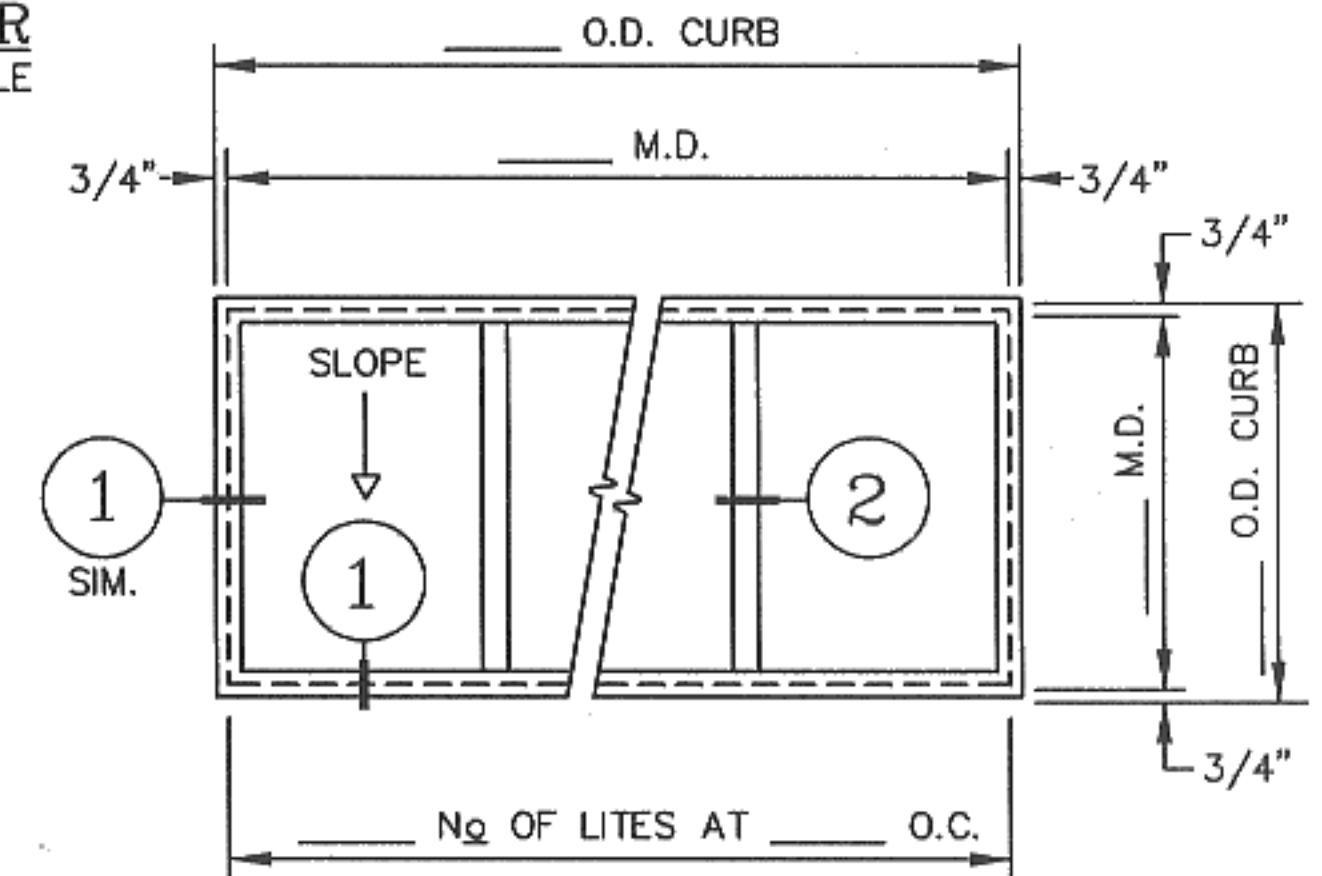


2 TYPICAL RAFTER
1/2 FULL SCALE

SINGLE PITCH (LONG SPAN)

- o GLASS, SINGLE GLAZED
- o CURB MOUNTED, FIXED

UNITS REQUIRED



FINISH :		PROJECT :	FILE : HL35SSG5
GLAZING :		CUSTOMER :	REVISIONS
<input type="checkbox"/> FIELD GLAZED	FIELD MEASUREMENTS AND INSTALLATION BY _____	ARCHITECT :	
<input type="checkbox"/> SHOP GLAZED			
		DRAWN :	JOB NO.
		DATE :	SHEET : 1 OF 1
75 WILLIAMS AVENUE SAN FRANCISCO, CA 94124 TEL.: (415) 822-4222 FAX: (415) 822-5222			