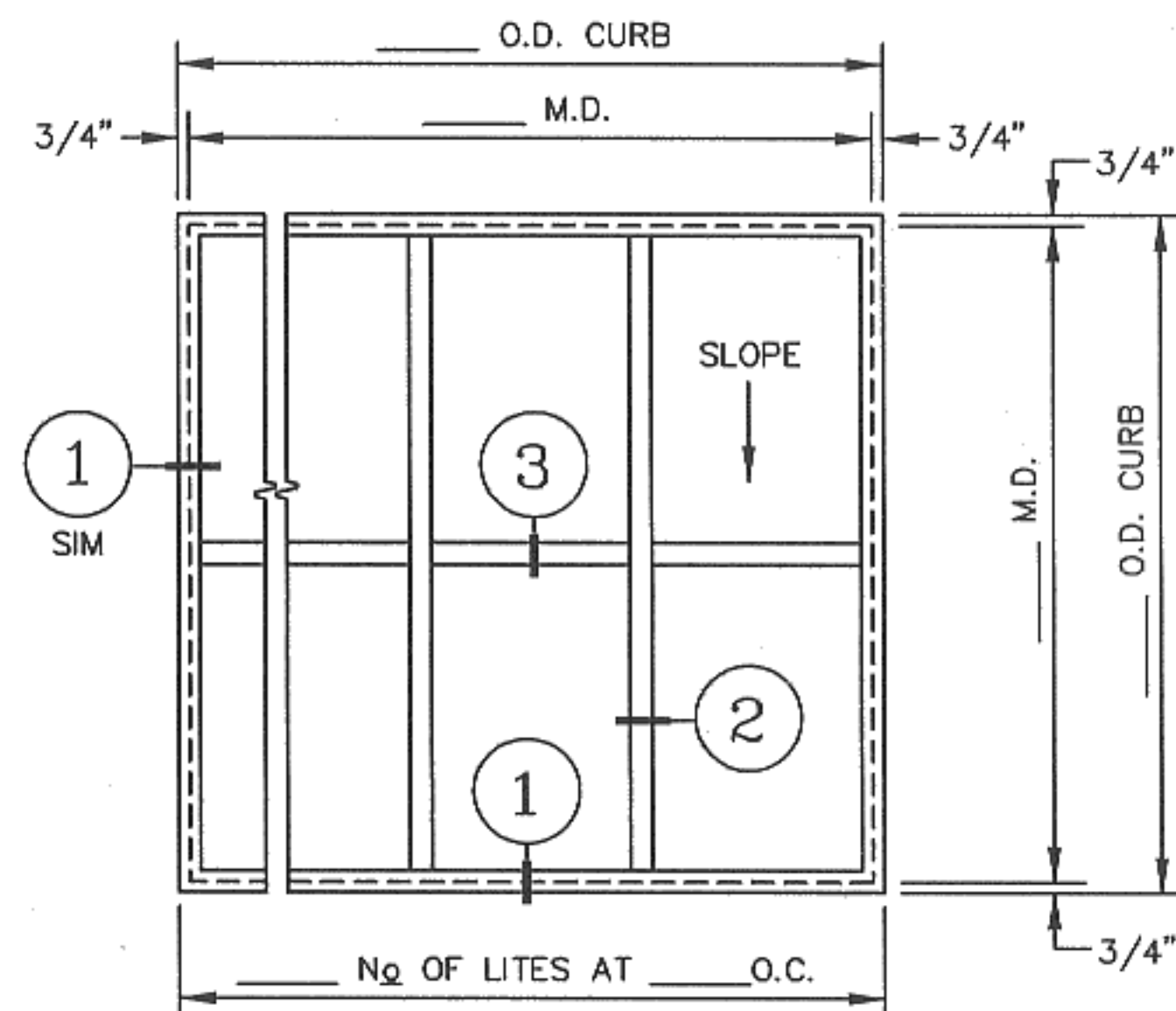


2 TYPICAL RAFTER 1/2 FULL SCALE



1 CURB MOUNTED SILL 1/2 FULL SCALE

SINGLE PITCH WITH CROSS BAR (LONG SPAN)

- o GLASS, SINGLE GLAZED
- o CURB MOUNTED

UNITS REQUIRED

FINISH :		PROJECT :	FILE : HL35SSG4
GLAZING :		CUSTOMER :	REVISIONS
<input type="checkbox"/> FIELD GLAZED	FIELD MEASUREMENTS AND INSTALLATION BY _____	ARCHITECT :	JOB NO.
<input type="checkbox"/> SHOP GLAZED		DRAWN :	
		75 WILLIAMS AVENUE SAN FRANCISCO, CA 94124 TEL.: (415) 822-4222 FAX: (415) 822-5222	SHEET : _____ OF _____
		DATE :	