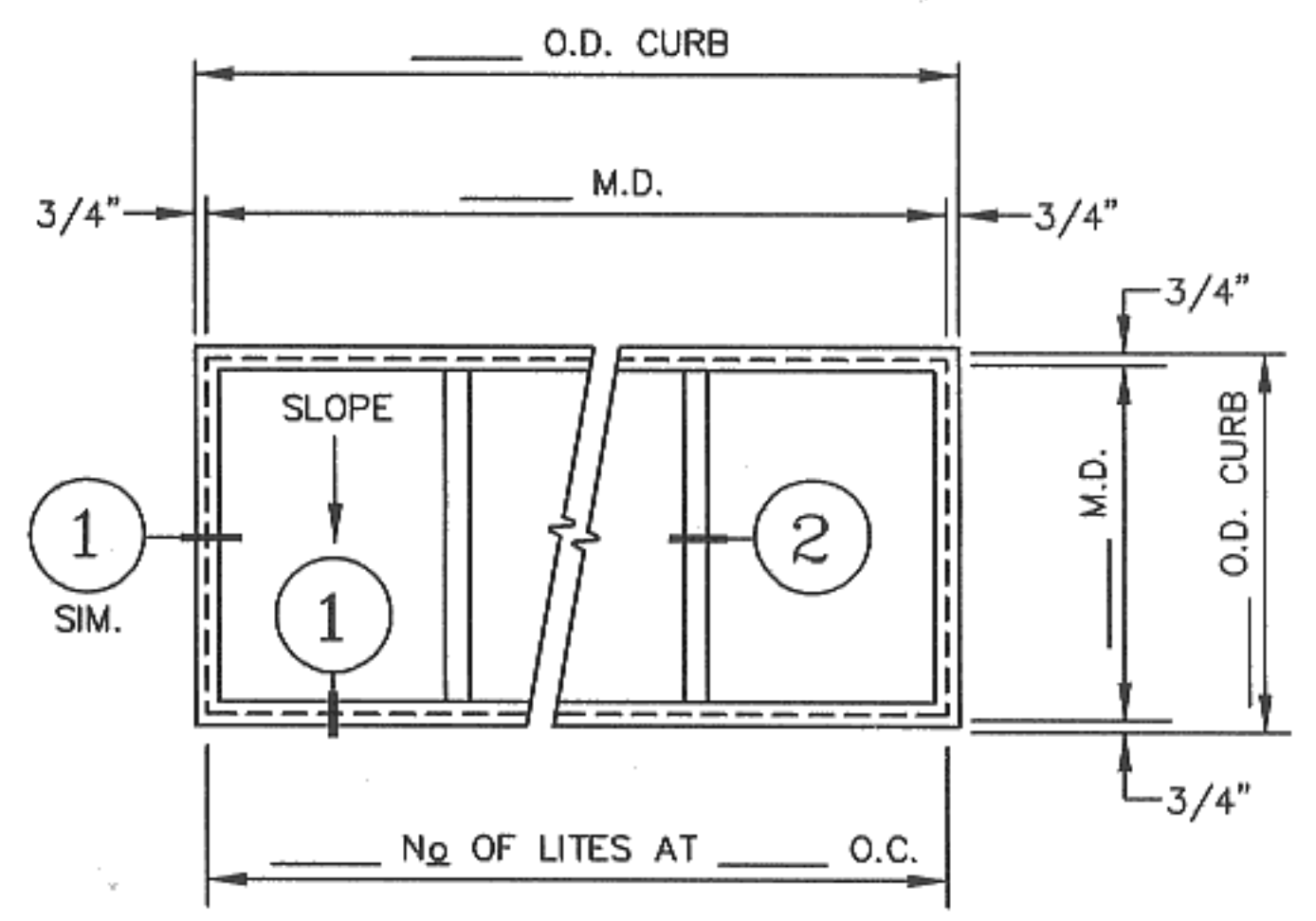


2 TYPICAL RAFTER
1/2 FULL SCALE



1 CURB MOUNTED SILL
1/2 FULL SCALE

SINGLE PITCH (LONG SPAN)

- o GLASS, SINGLE GLAZED
- o CURB MOUNTED

____ UNITS REQUIRED

| | | | |
|--|--|--|-----------------|
| FINISH : | | PROJECT : | FILE : HL35SSG3 |
| GLAZING : | | CUSTOMER : | REVISIONS |
| <input type="checkbox"/> FIELD GLAZED FIELD MEASUREMENTS <input type="checkbox"/> SHOP GLAZED AND INSTALLATION BY _____ | | ARCHITECT : | |
| O'KEEFFE'S, INC. | | 75 WILLIAMS AVENUE SAN FRANCISCO, CA 94124 TEL.: (415) 822-4222 FAX: (415) 822-5222 | JOB NO. |
| | | DRAWN : | SHEET : |
| | | DATE : | _____ OF _____ |