

HL-21 ALUM. CAP
MITERED & WELDED
AT CORNERS

1/8" X 3/8"
FOAM GLAZING
TAPE

#8 X 3/4" LONG
HEX HEAD TEK
SCREWS AT
ON CENTER

WEEP HOLES

#12 X 1 1/4"
STAINLESS STEEL
SHEET METAL SCREW

WEEP HOLES AT
RAFTERS & CORNERS
(AT LOW SIDE)

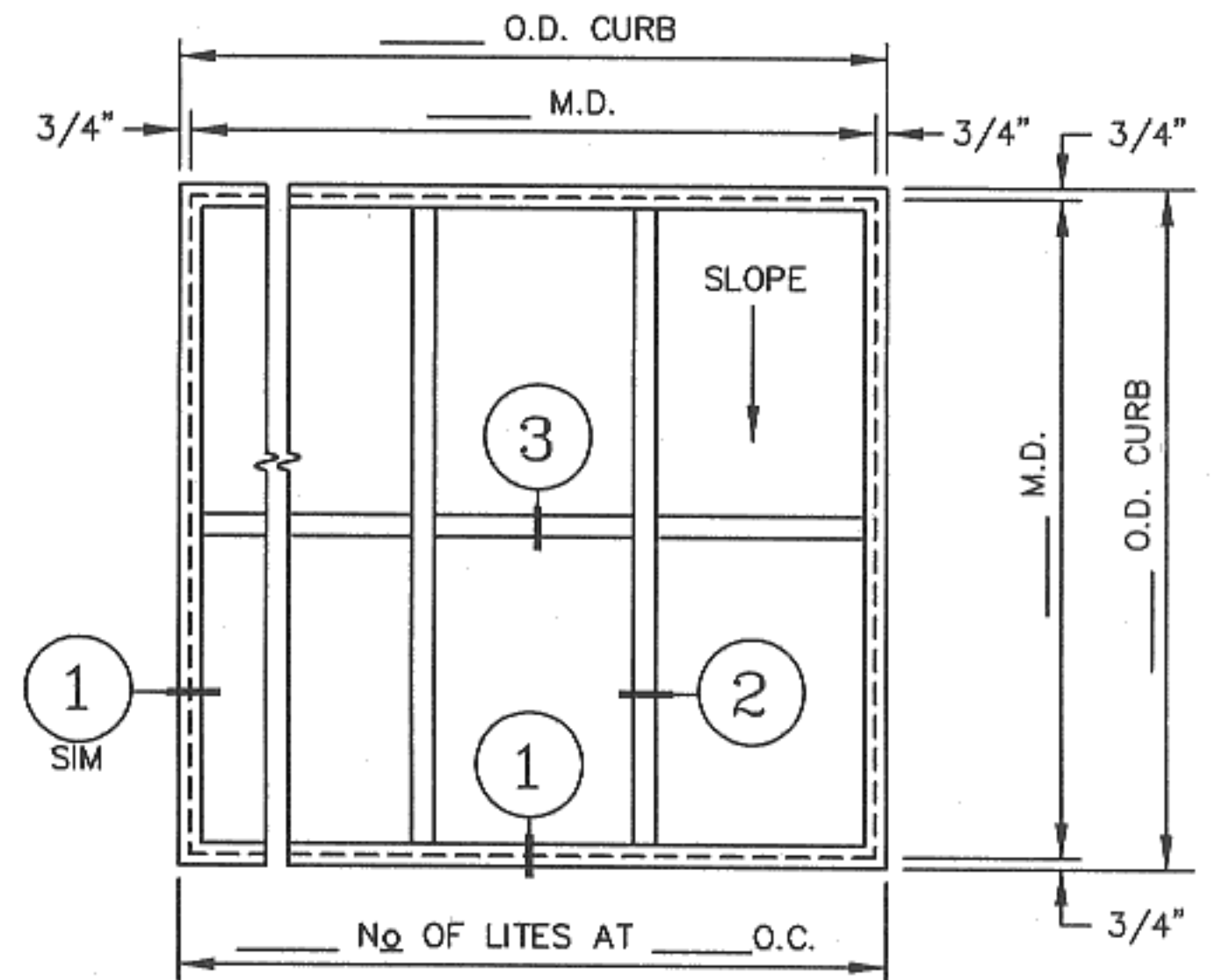
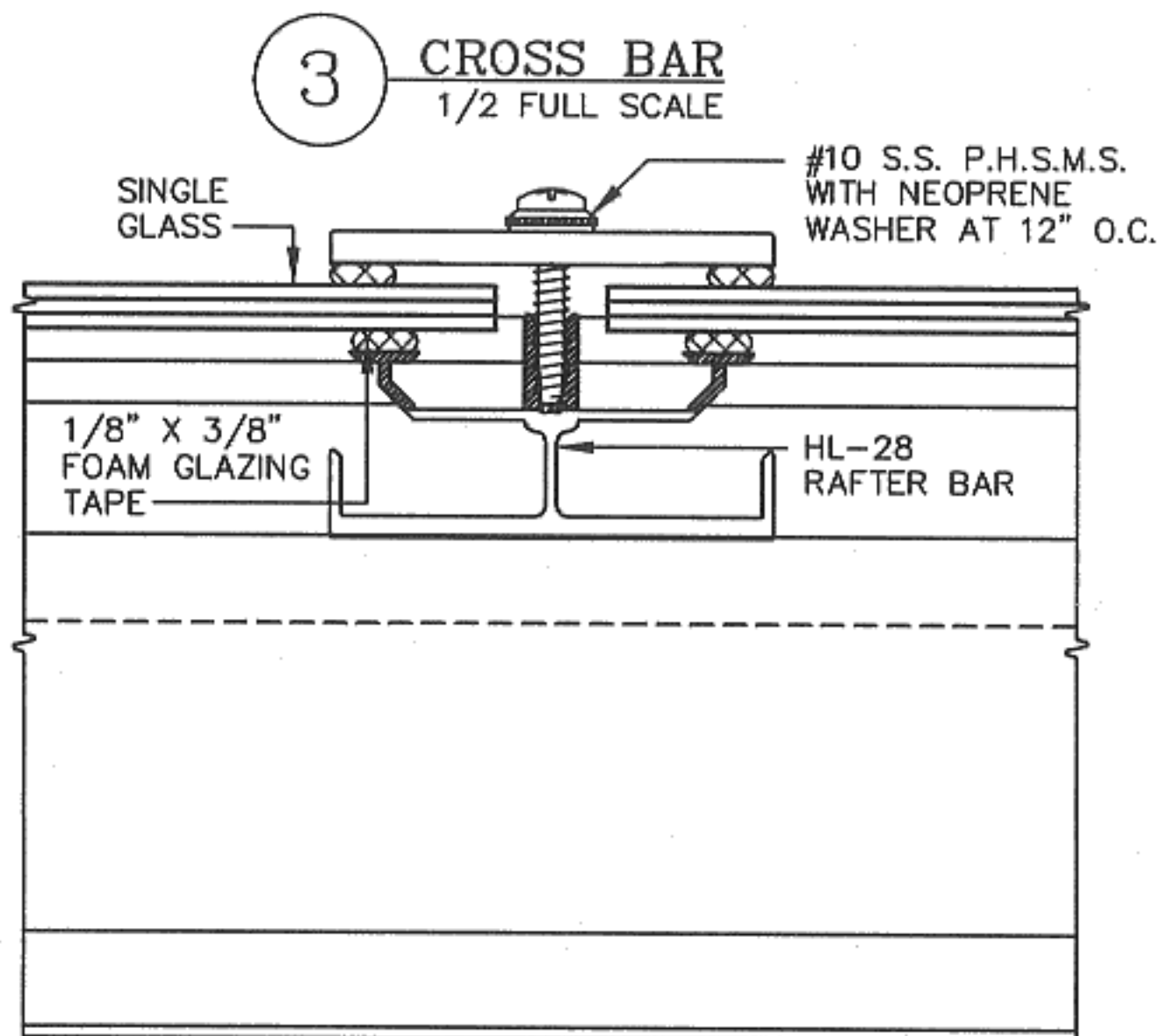
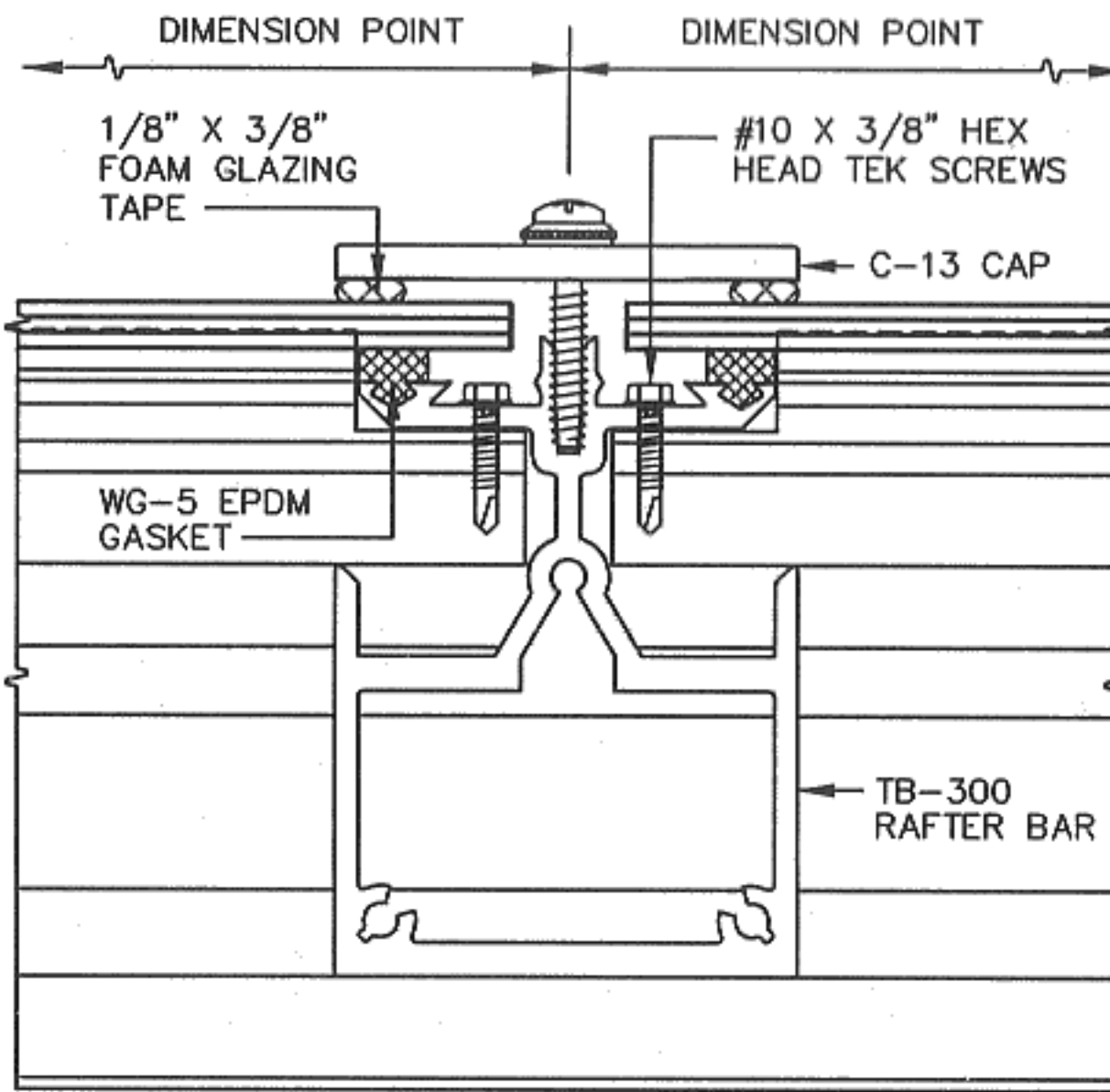
MASTIC BEDDING
TAPE (BY OTHERS)

FASTENER
(BY OTHERS)

HL-35 ALUM.
SILL

MATERIAL &
CONSTRUCTION
BY OTHERS

1 CURB MOUNTED SILL
1/2 FULL SCALE



SINGLE PITCH WITH CROSS BAR (LONG SPAN)

- o GLASS, SINGLE GLAZED
- o CURB MOUNTED, FIXED

____ UNITS REQUIRED

FINISH :

GLAZING :

FIELD GLAZED

SHOP GLAZED

FIELD MEASUREMENTS
AND INSTALLATION BY _____

PROJECT :

CUSTOMER :

ARCHITECT :

FILE : HL35SSG2

REVISIONS

O'KEEFFE'S, INC.

75 WILLIAMS AVENUE
SAN FRANCISCO, CA 94124
TEL.: (415) 822-4222
FAX: (415) 822-5222

DRAWN :

DATE :

JOB NO.

SHEET :

OF