

1/8" X 3/8"
GLAZING TAPE

HL-22 ALUM. CAP
MITERED & WELDED
AT CORNERS

#8 X 3/4" HEX
HEAD TEK SCREW
24" O.C.

WEEP HOLES

#12 X 1 1/4"
STAINLESS
STEEL SHEET
METAL SCREW

WEEP HOLES
AT RAFTERS
AND CORNERS
(TO LOW SIDE)

MASTIC
BEDDING TAPE
(BY OTHERS)

FASTENER
(BY OTHERS)

HL-35
ALUM. SILL

MATERIAL AND
CONSTRUCTION
BY OTHERS

1 CURB MOUNTED SILL
1/2 FULL SCALE

DIMENSION POINT

DIMENSION POINT

C-13 CAP

1/8" X 3/8"
GLAZING TAPE

#12 HEX HEAD TEK
(ZINC PLATED)
AT 12" O.C.

INSULATED
GLASS

HL-5
GASKET

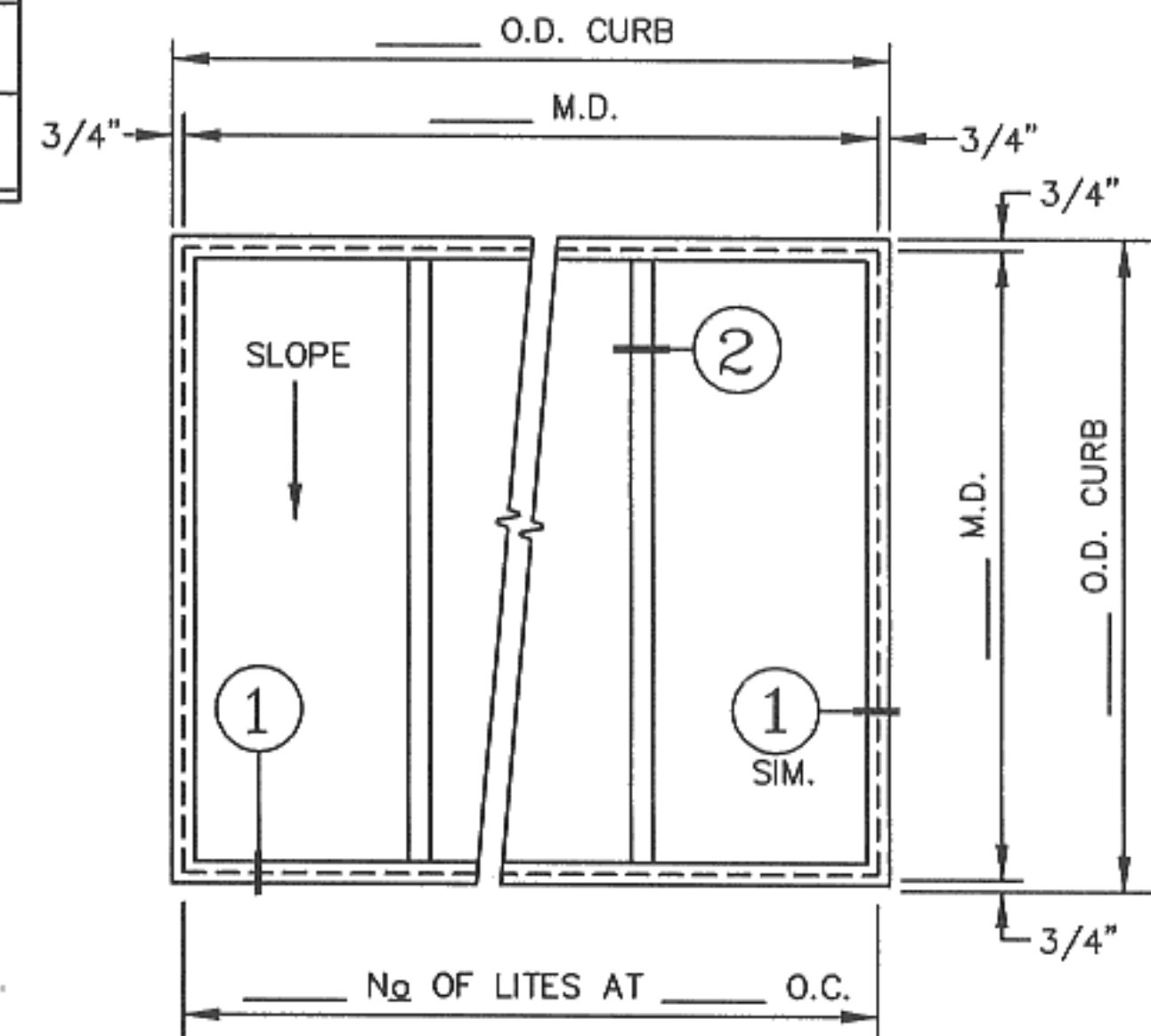
HL-16
RAFTER BAR

SINGLE PITCH (LONG SPAN)

- o GLASS, INSULATED GLAZED
- o CURB MOUNTED

_____ UNITS REQUIRED

2 TYPICAL RAFTER
1/2 FULL SCALE



FINISH :	PROJECT :
GLAZING :	CUSTOMER :
<input type="checkbox"/> FIELD GLAZED FIELD MEASUREMENTS <input type="checkbox"/> SHOP GLAZED AND INSTALLATION BY _____	ARCHITECT :

FILE : HL35SIG3
REVISIONS

O'KEEFFE'S, INC.

75 WILLIAMS AVENUE
SAN FRANCISCO, CA 94124
TEL: (415) 822-4222
FAX: (415) 822-5222

DRAWN :
DATE :

JOB NO.
SHEET : _____ OF _____