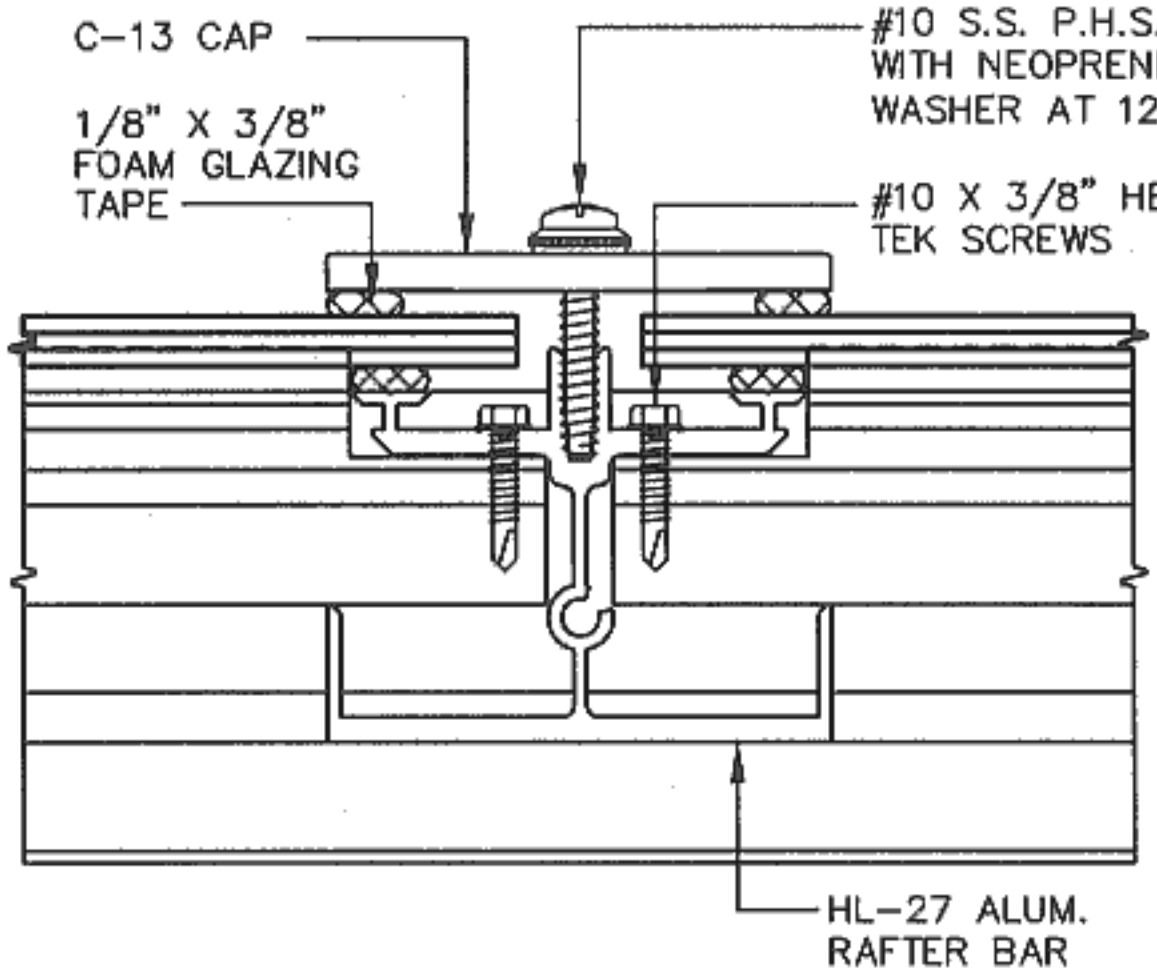
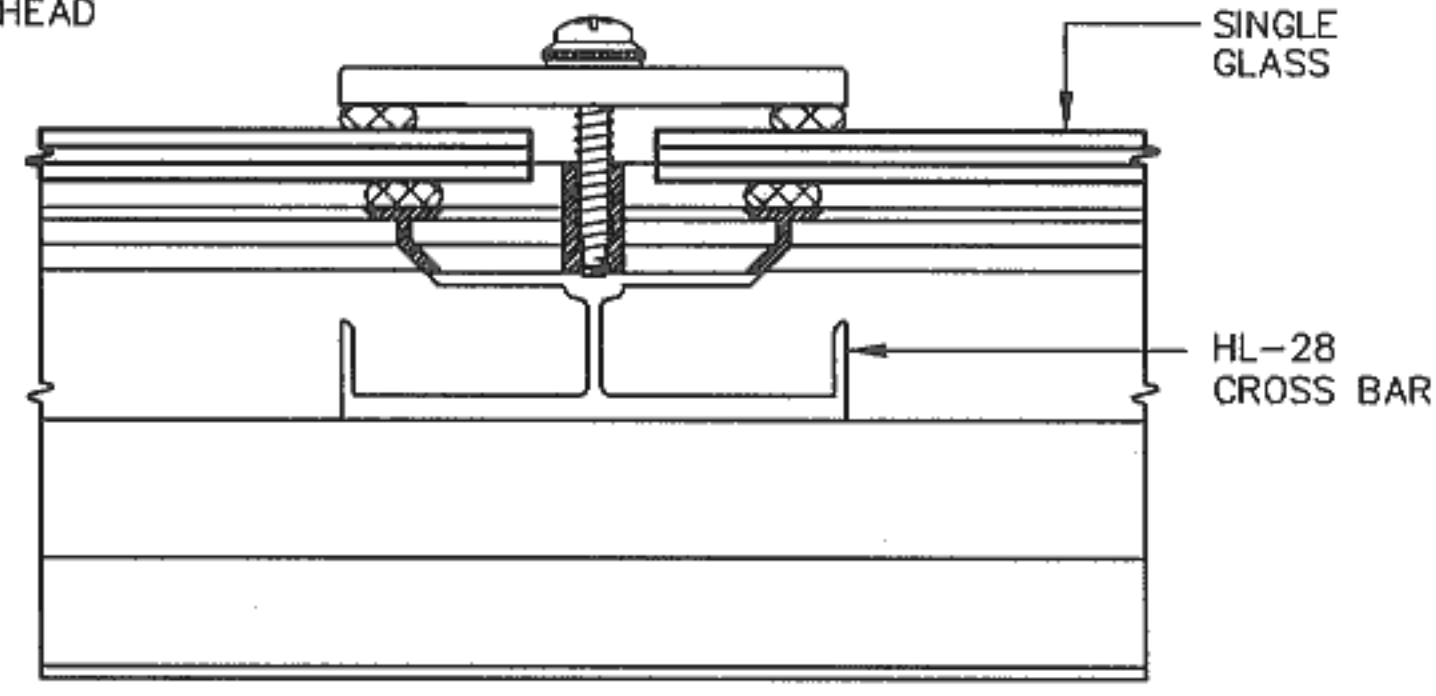


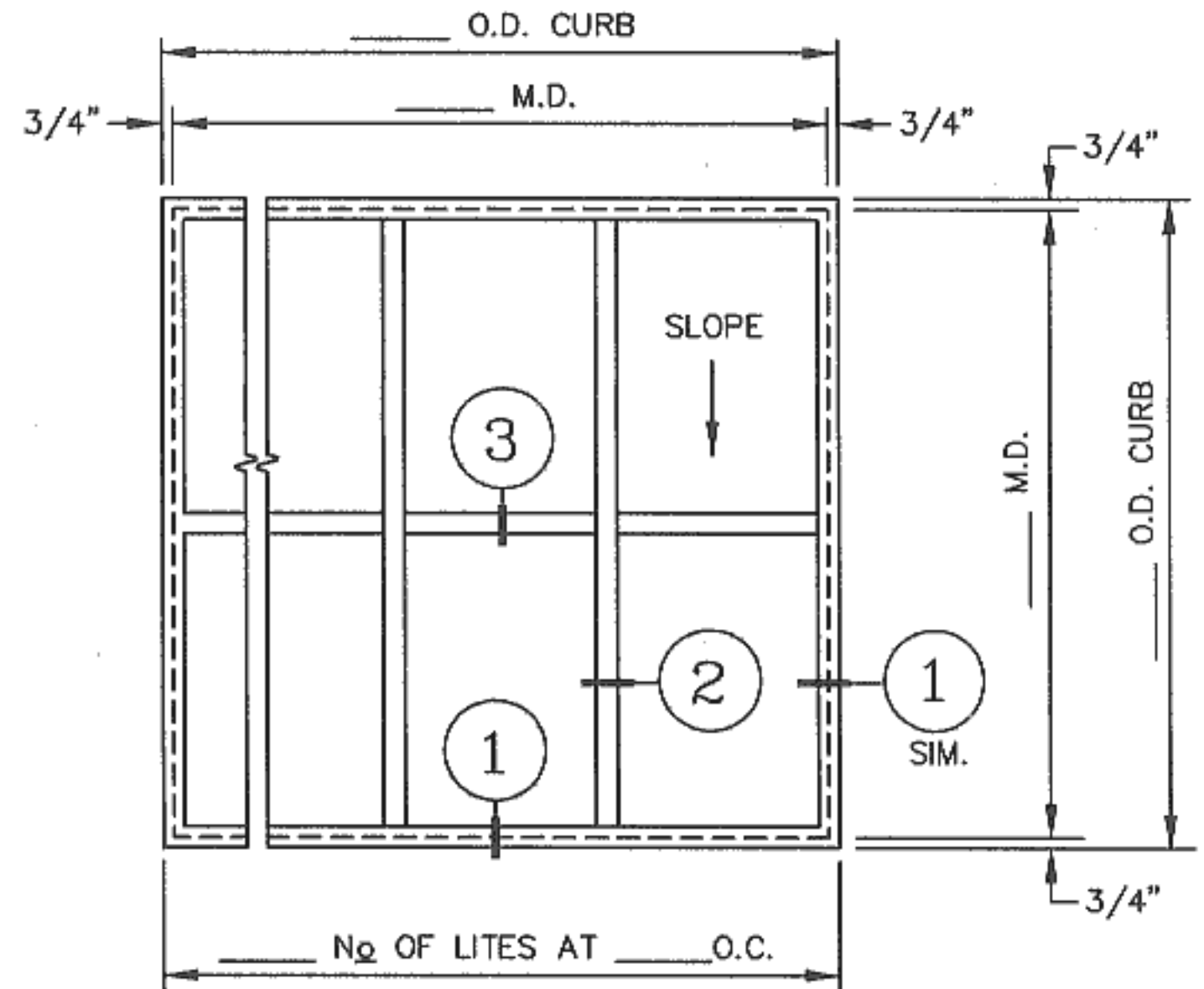
1 CURB MOUNTED SILL
 1/2 FULL SCALE



2 TYPICAL RAFTER
 1/2 FULL SCALE



3 CROSS BAR
 1/2 FULL SCALE



SINGLE PITCH WITH CROSS BAR (SHORT SPAN)

- o GLASS, SINGLE GLAZED
- o CURB MOUNTED, FIXED

_____ UNITS REQUIRED

STRUCTURE (BY OTHERS) REQUIRED AT RAFTERS FOR INTERMEDIATE SUPPORT?

YES

NO

FINISH :

GLAZING :

FIELD GLAZED FIELD MEASUREMENTS AND INSTALLATION BY _____

SHOP GLAZED

PROJECT :

CUSTOMER :

ARCHITECT :

FILE : HL34SSG3

REVISIONS



75 WILLIAMS AVENUE
 SAN FRANCISCO, CA 94124
 TEL.: (415) 822-4222
 FAX: (415) 822-5222

DRAWN :

DATE :

JOB NO.

SHEET : _____ OF _____