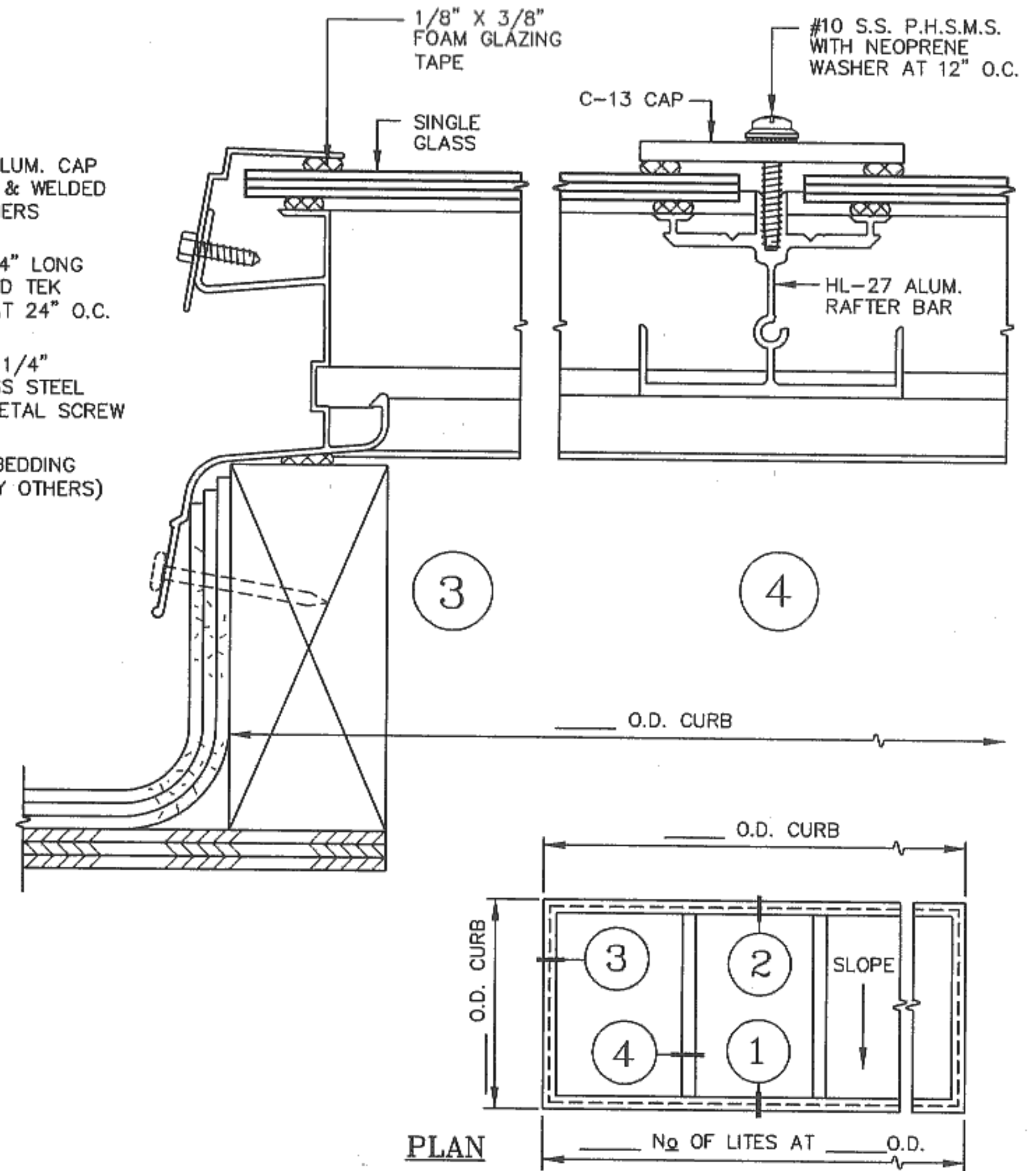
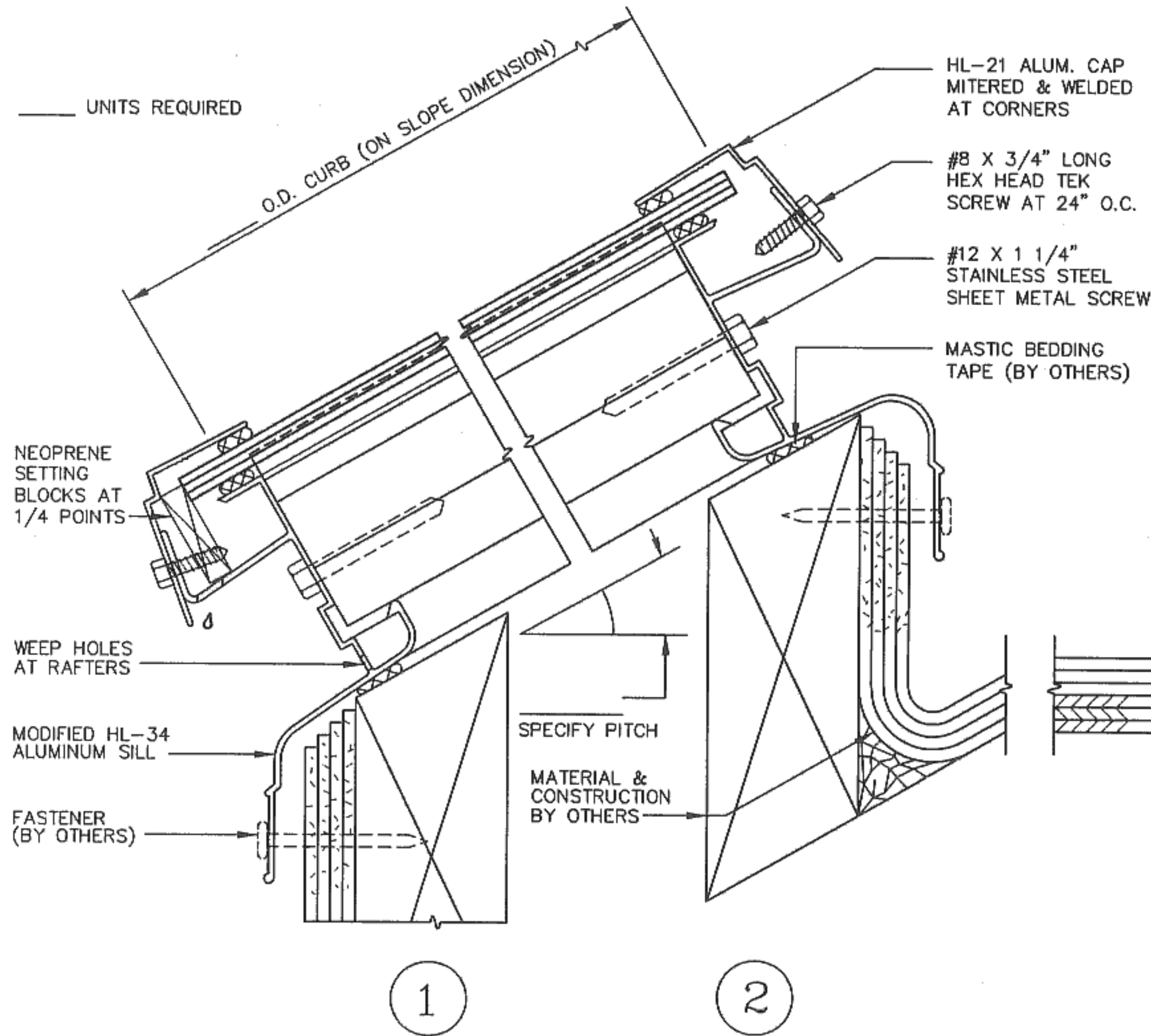


SINGLE PITCH WITH PLUMB CURB (SHORT SPAN)

o GLASS, SINGLE GLAZED

1/2 FULL SCALE

UNITS REQUIRED



FINISH :

GLAZING :

FIELD GLAZED FIELD MEASUREMENTS AND INSTALLATION BY _____

SHOP GLAZED

PROJECT :

CUSTOMER :

ARCHITECT :

FILE : HL34SSG2

REVISIONS

O'KEEFFE'S, INC.

75 WILLIAMS AVENUE
 SAN FRANCISCO, CA 94124
 TEL.: (415) 822-4222
 FAX: (415) 822-5222

DRAWN :

DATE :

JOB NO.

SHEET : _____ OF _____