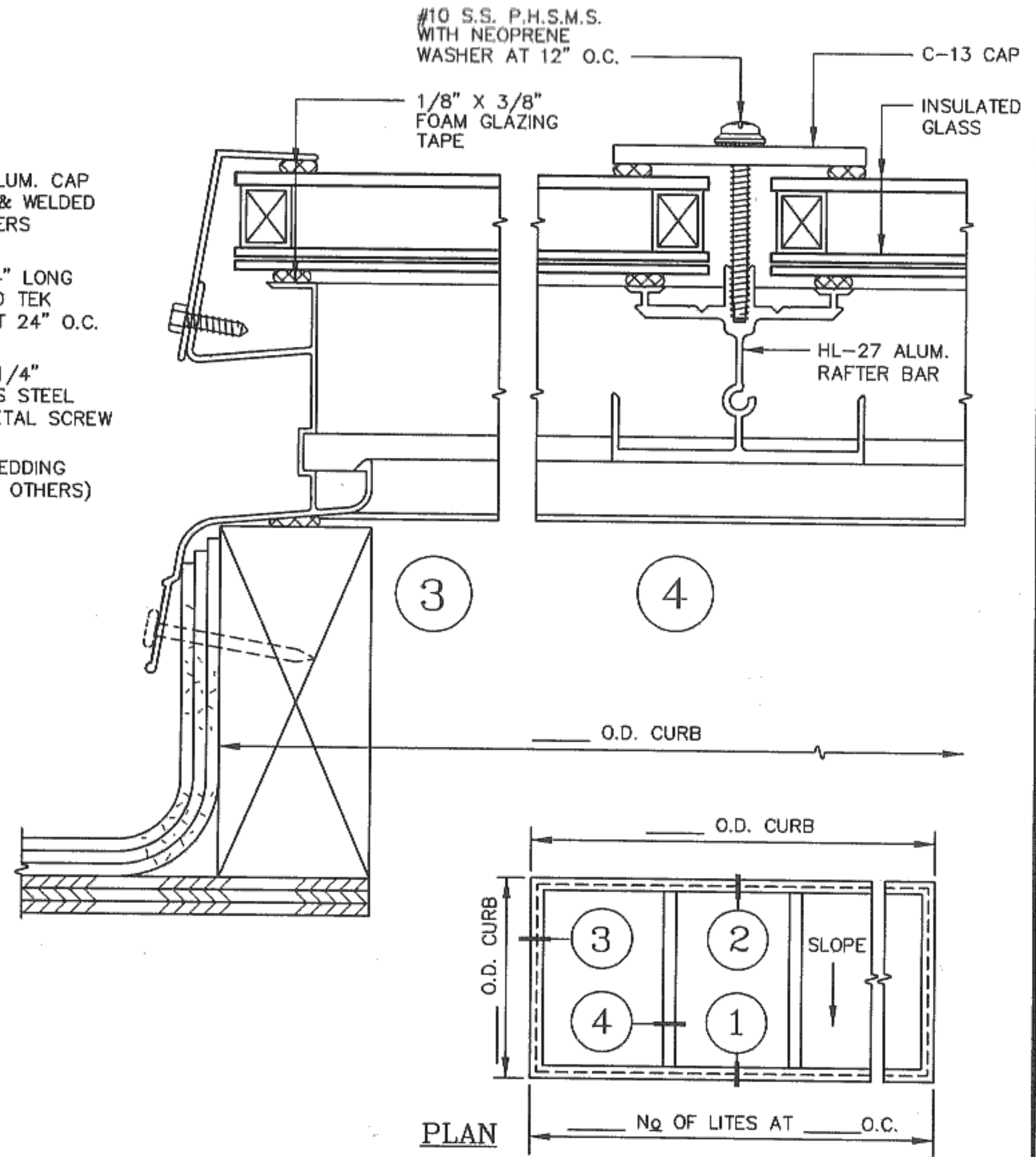
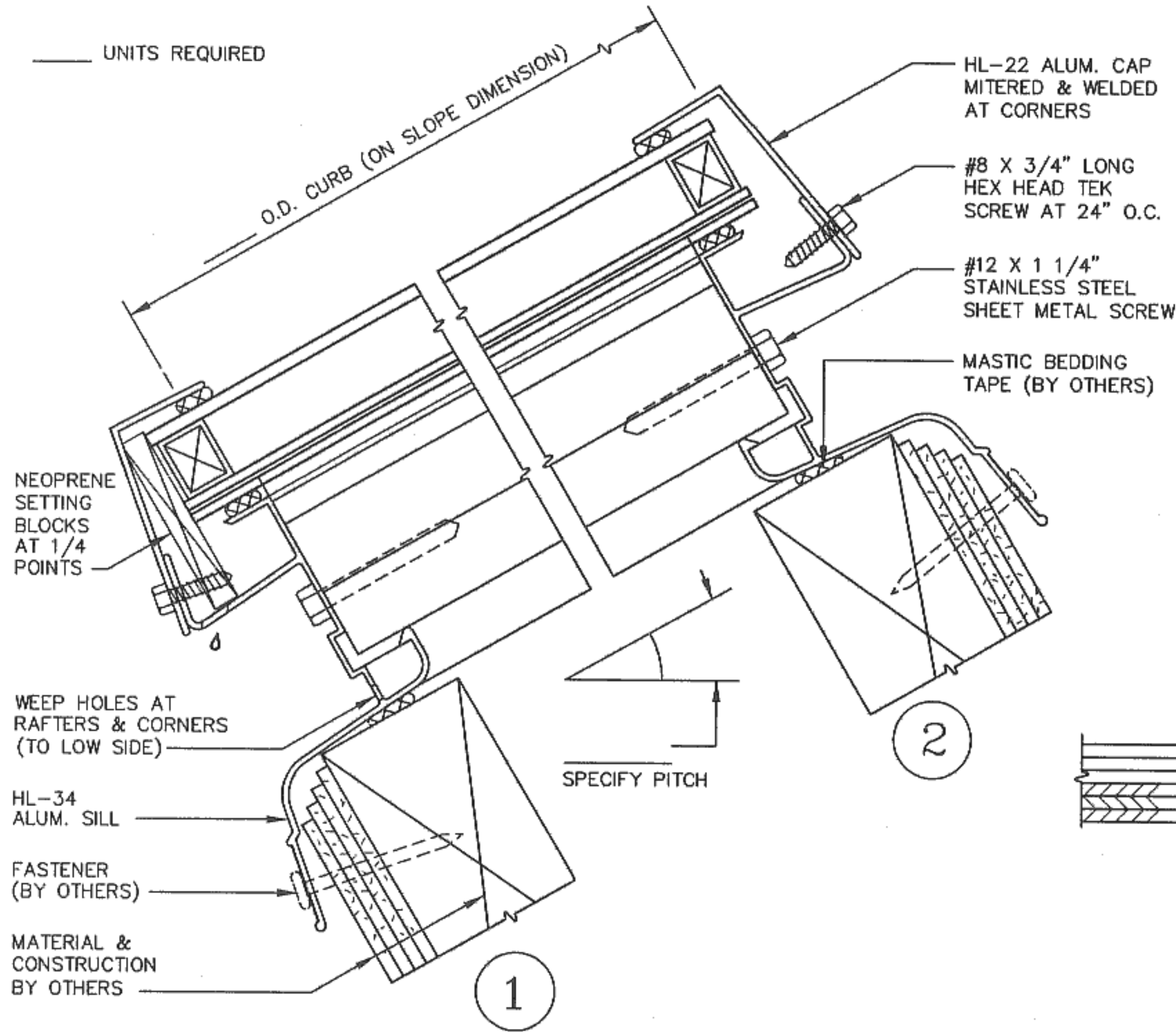


# SINGLE PITCH WITH PLUMB CURB (SHORT SPAN)

o GLASS, INSULATED GLAZED

1/2 FULL SCALE

UNITS REQUIRED



FINISH :	PROJECT :
GLAZING :	CUSTOMER :
<input type="checkbox"/> FIELD GLAZED	ARCHITECT :
<input type="checkbox"/> SHOP GLAZED	FIELD MEASUREMENTS AND INSTALLATION BY _____

FILE : HL34SIG5
REVISIONS

**O'KEEFFE'S, INC.**

75 WILLIAMS AVENUE  
 SAN FRANCISCO, CA 94124  
 TEL.: (415) 822-4222  
 FAX: (415) 822-5222

DRAWN :
DATE :

<b>JOB NO.</b>
SHEET :
_____ OF _____