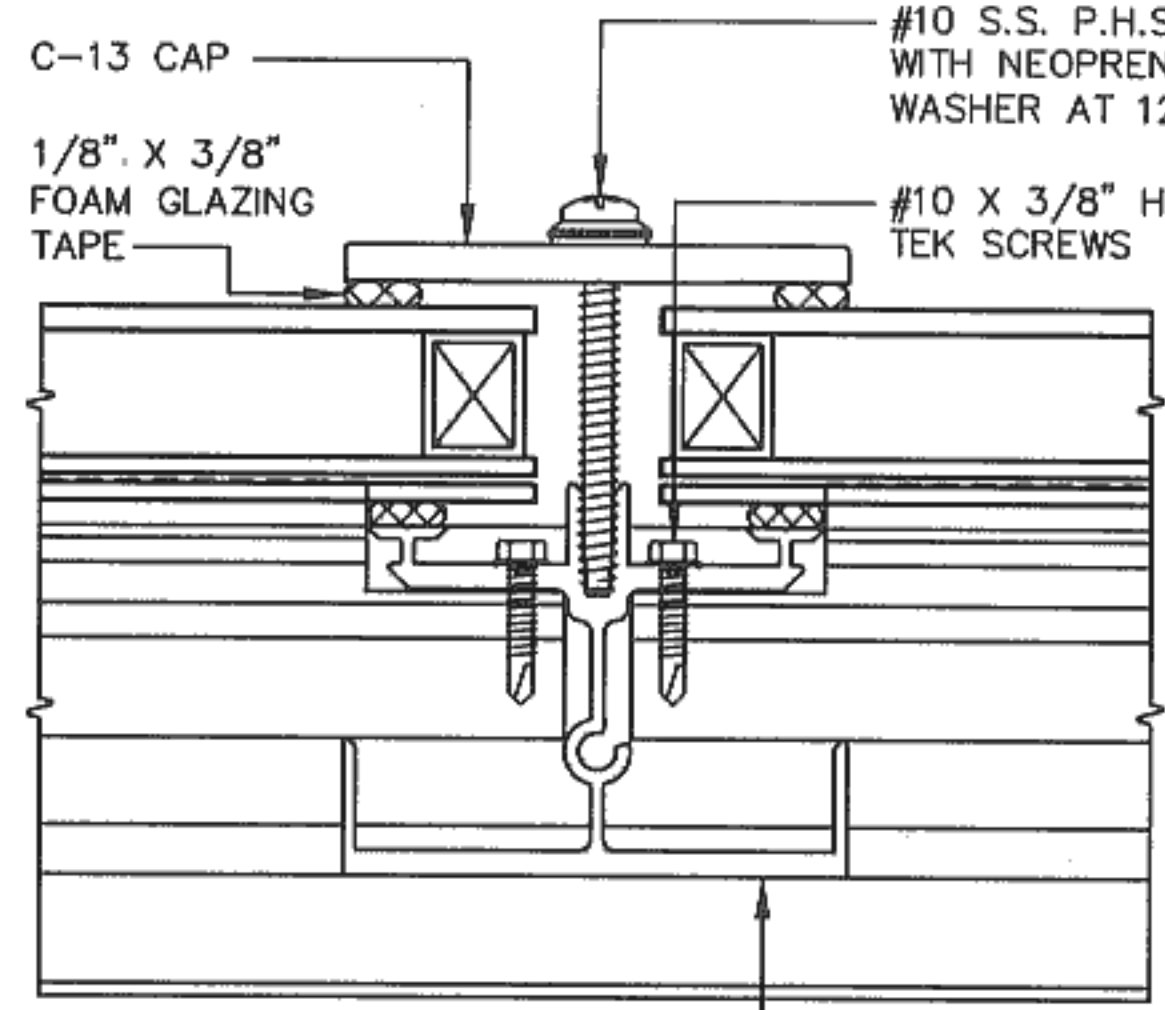
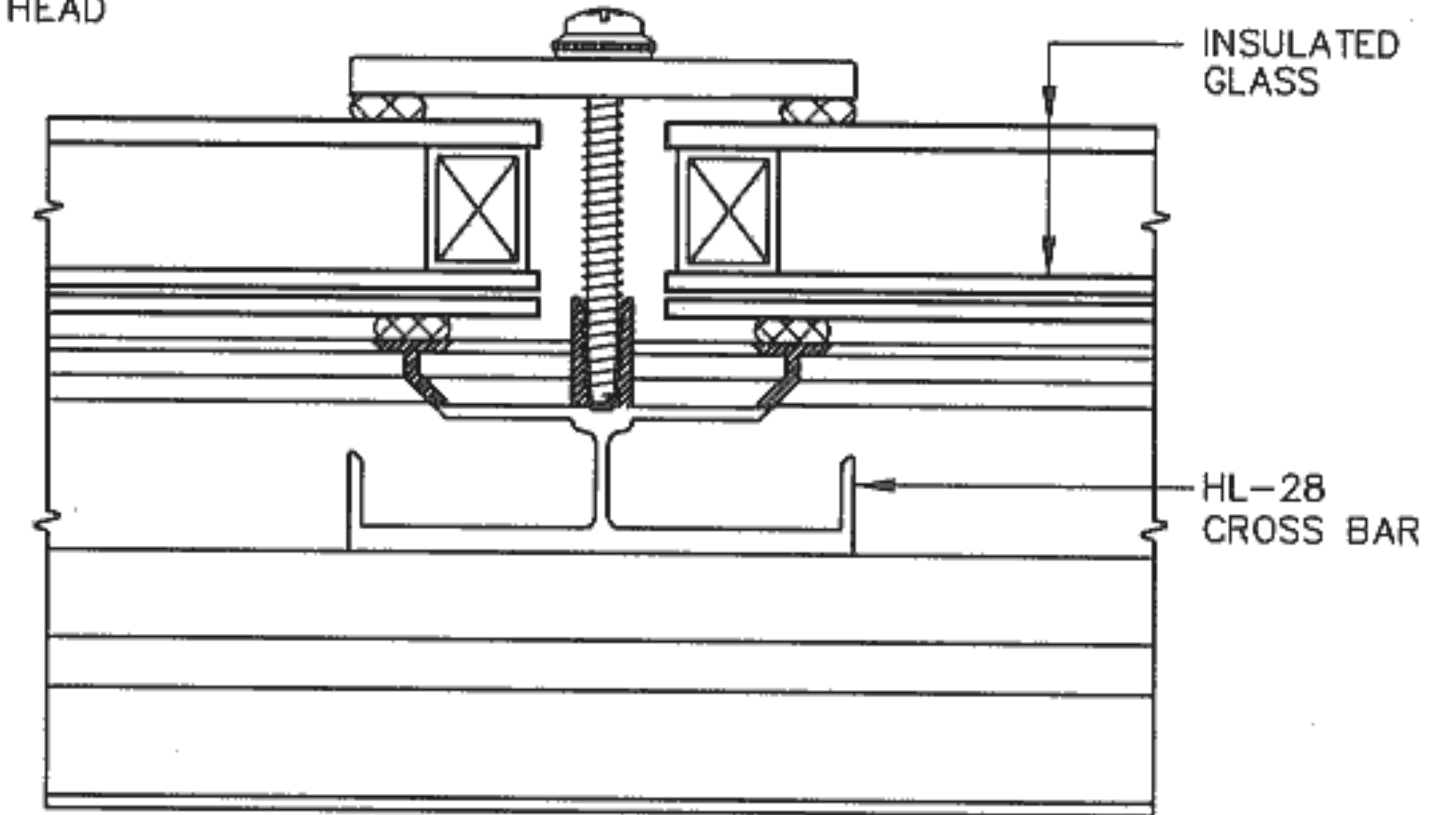


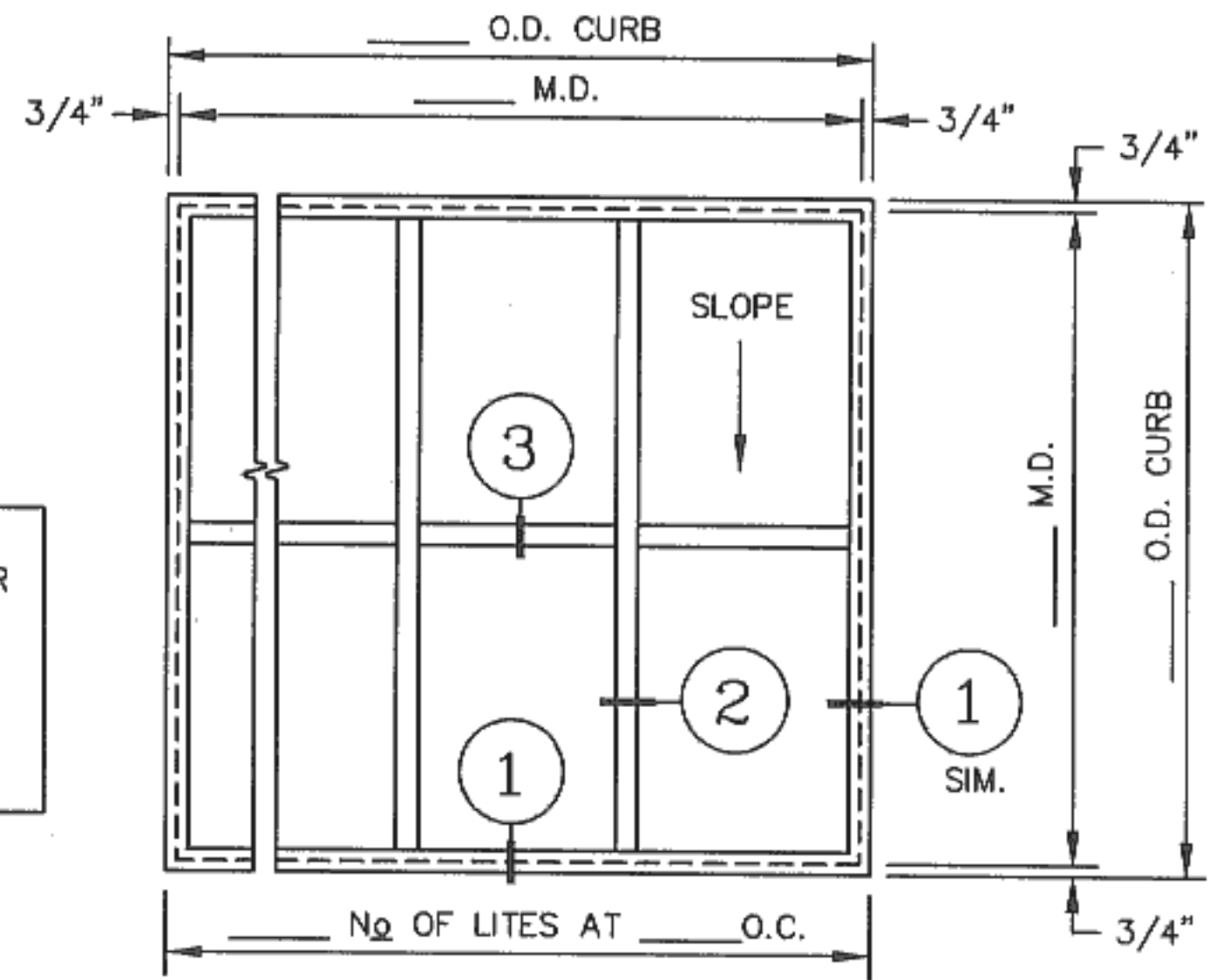
**1 CURB MOUNTED SILL**  
1/2 FULL SCALE



**2 TYPICAL RAFTER**  
1/2 FULL SCALE



**3 CROSS BAR**  
1/2 FULL SCALE



M.D.  
O.D. CURB  
(CONTRACTOR TO VERIFY OR GUARANTEE)

STRUCTURE (BY OTHERS)  
REQUIRED AT RAFTERS FOR  
INTERMEDIATE SUPPORT?

YES

NO

**SINGLE PITCH WITH CROSS BAR (SHORT SPAN)**

- o GLASS, INSULATED GLAZED
- o CURB MOUNTED, FIXED

\_\_\_\_ UNITS REQUIRED

FINISH : GLAZING : <input type="checkbox"/> FIELD GLAZED      FIELD MEASUREMENTS <input type="checkbox"/> SHOP GLAZED      AND INSTALLATION BY _____	PROJECT : CUSTOMER : ARCHITECT :	FILE : HL34SIG4 REVISIONS _____ _____ _____
<b>O'KEEFFE'S, INC.</b> 75 WILLIAMS AVENUE SAN FRANCISCO, CA 94124 TEL.: (415) 822-4222 FAX: (415) 822-5222		DRAWN : DATE : <b>JOB NO.</b> SHEET : _____ OF _____