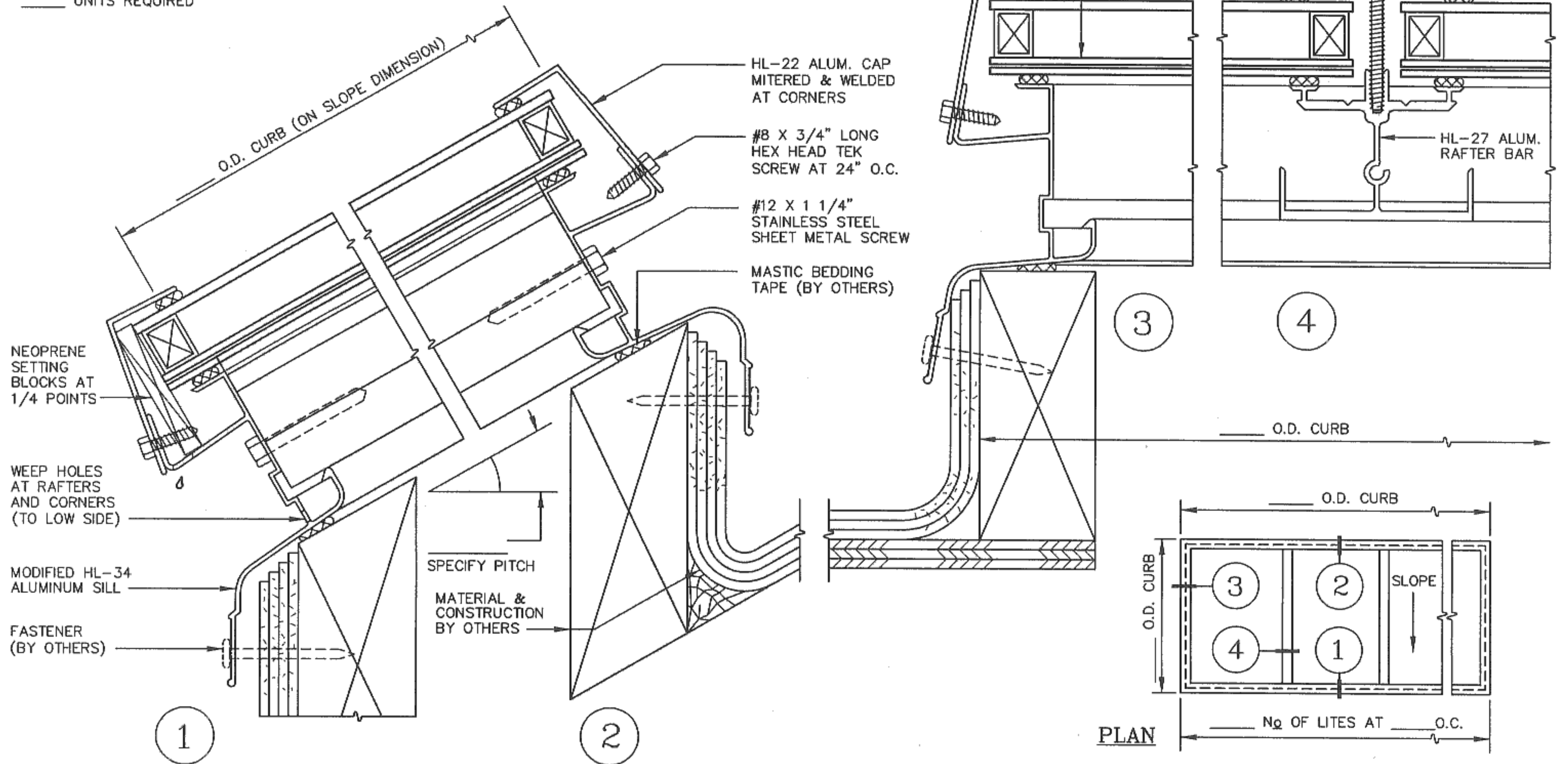


# SINGLE PITCH WITH PLUMB CURB (SHORT SPAN)

o GLASS, INSULATED GLAZED

1/2 FULL SCALE

\_\_\_\_ UNITS REQUIRED



FINISH :		PROJECT :	FILE : HL34SIG3
GLAZING :		CUSTOMER :	REVISIONS
<input type="checkbox"/> FIELD GLAZED      FIELD MEASUREMENTS <input type="checkbox"/> SHOP GLAZED      AND INSTALLATION BY _____		ARCHITECT :	
		DRAWN :	JOB NO.
75 WILLIAMS AVENUE SAN FRANCISCO, CA 94124 TEL: (415) 822-4222 FAX: (415) 822-5222		DATE :	SHEET : _____ OF _____