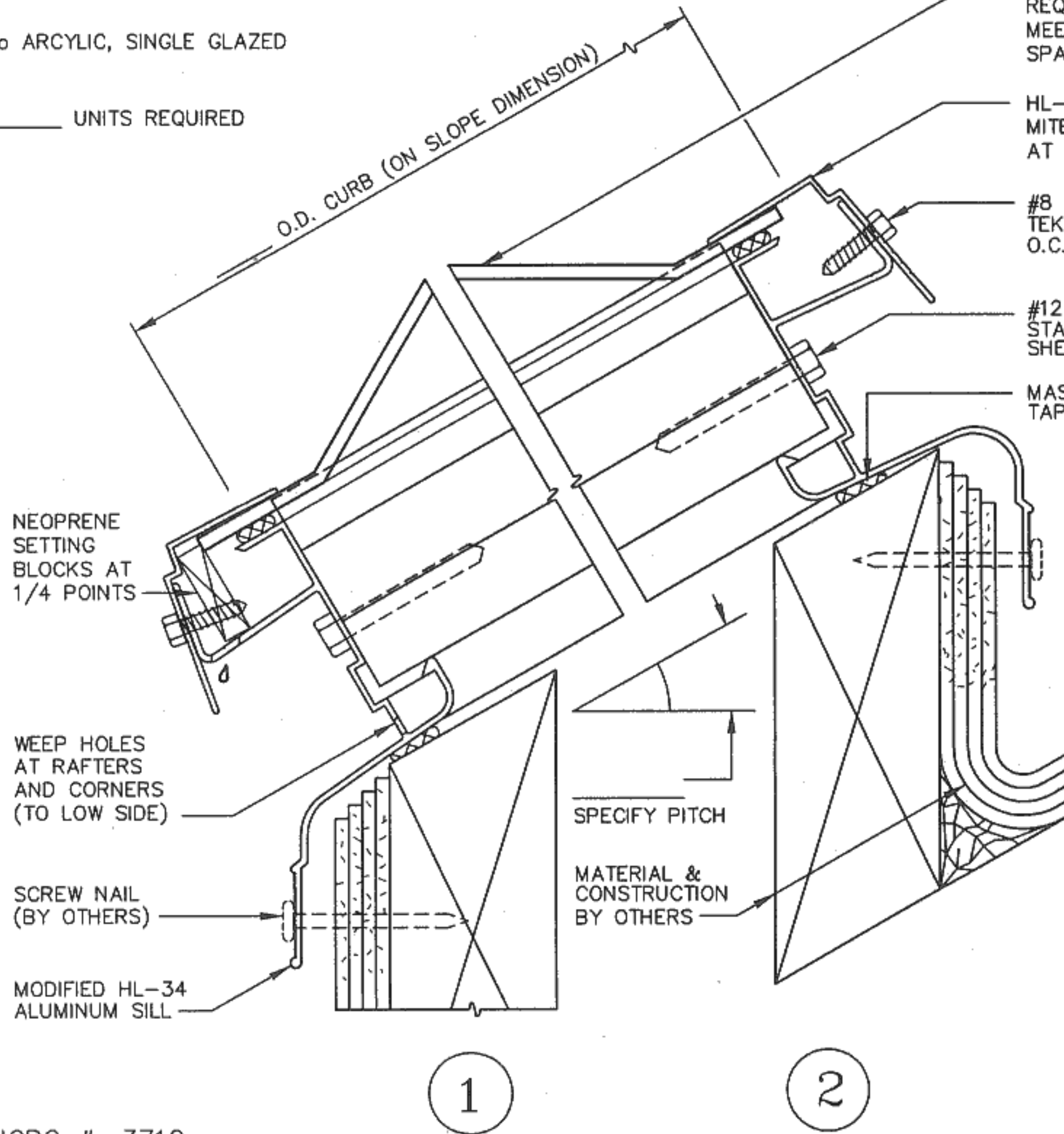


SINGLE PITCH WITH PLUMB CURB

1/2 FULL SCALE

o ARCYLIC, SINGLE GLAZED

— UNITS REQUIRED



THICKNESS AS
REQUIRED TO
MEET LOAD /
SPAN CRITERIA

HL-21 ALUM. CAP
MITERED & WELDED
AT CORNERS

#8 X 3/4" LONG
TEK SCREW AT 24"
O.C.

#12 X 1 1/4"
STAINLESS STEEL
SHEET METAL SCREW

MASTIC BEDDING
TAPE (BY OTHERS)

NEOPRENE
SETTING
BLOCKS AT
1/4 POINTS

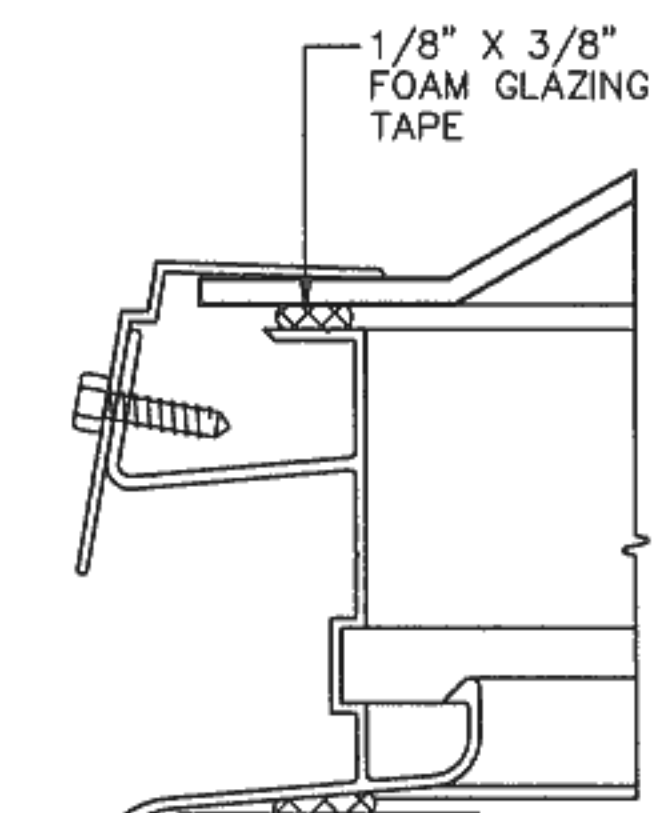
WEEP HOLES
AT RAFTERS
AND CORNERS
(TO LOW SIDE)

SCREW NAIL
(BY OTHERS)

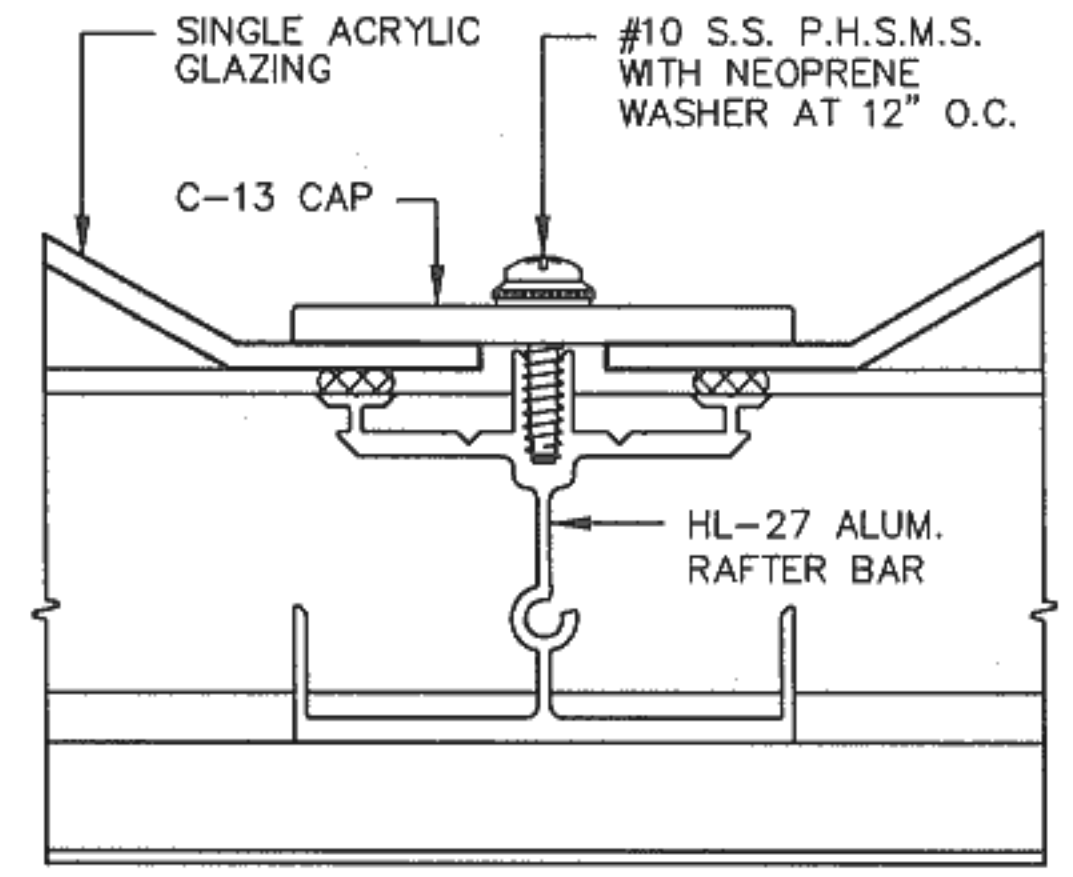
MODIFIED HL-34
ALUMINUM SILL

SPECIFY PITCH

MATERIAL &
CONSTRUCTION
BY OTHERS

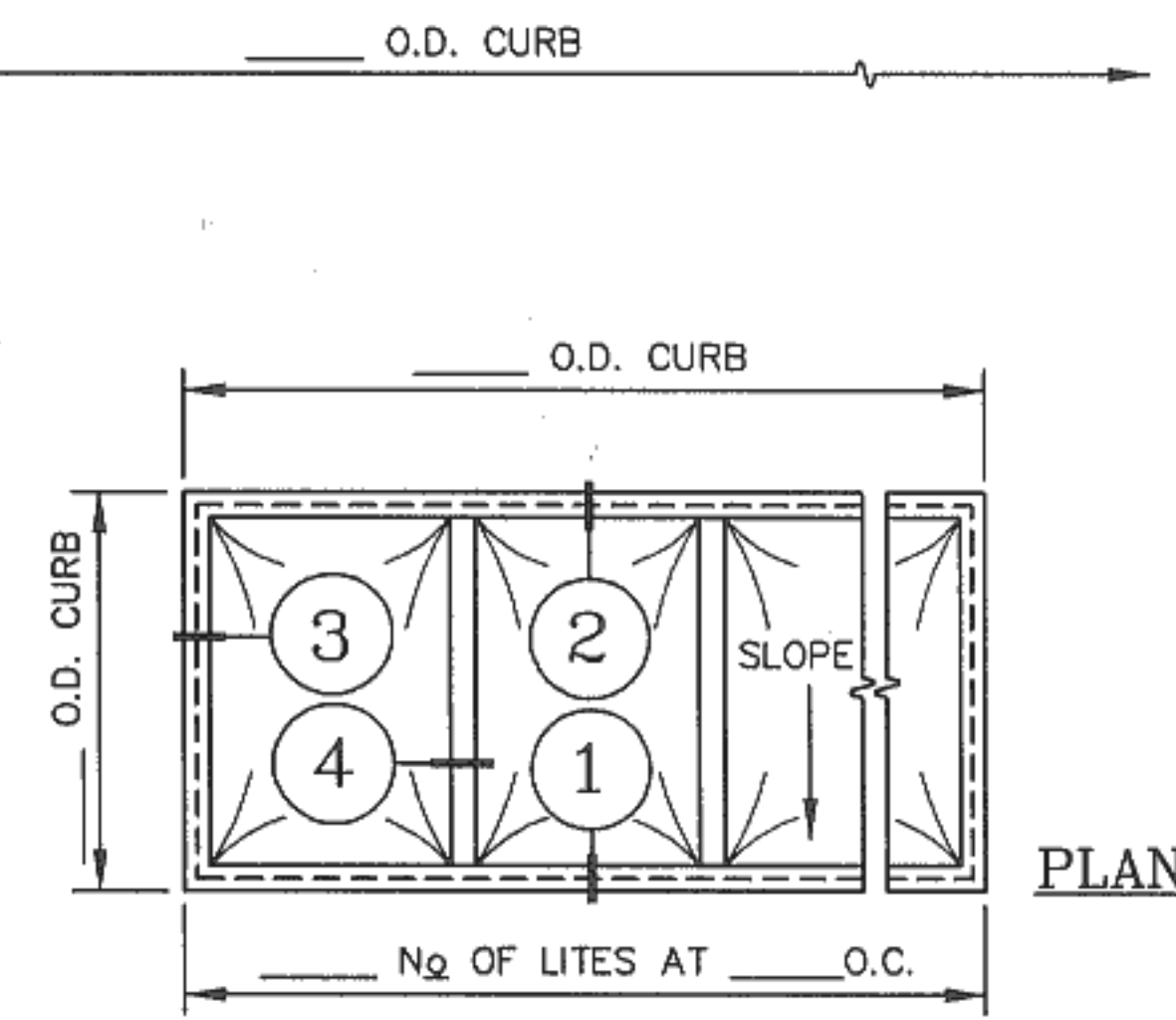


3



4

- LENS SHAPE:
- DOME (SHOWN) 20% RISE STANDARD
 - PYRAMID 30° PITCH STANDARD
 - DOUBLE HIP 30° PITCH STANDARD
 - SPECIAL _____



PLAN

ICBO #: 3710

FINISH :		PROJECT :		FILE : HL34ASD2	
GLAZING :		CUSTOMER :		REVISIONS	
<input type="checkbox"/> FIELD GLAZED FIELD MEASUREMENTS <input type="checkbox"/> SHOP GLAZED AND INSTALLATION BY _____		ARCHITECT :			
O'KEEFFE'S, INC.		75 WILLIAMS AVENUE SAN FRANCISCO, CA 94124 TEL.: (415) 822-4222 FAX: (415) 822-5222		DRAWN :	
		JOB NO.		DATE :	
				SHEET : _____ OF _____	