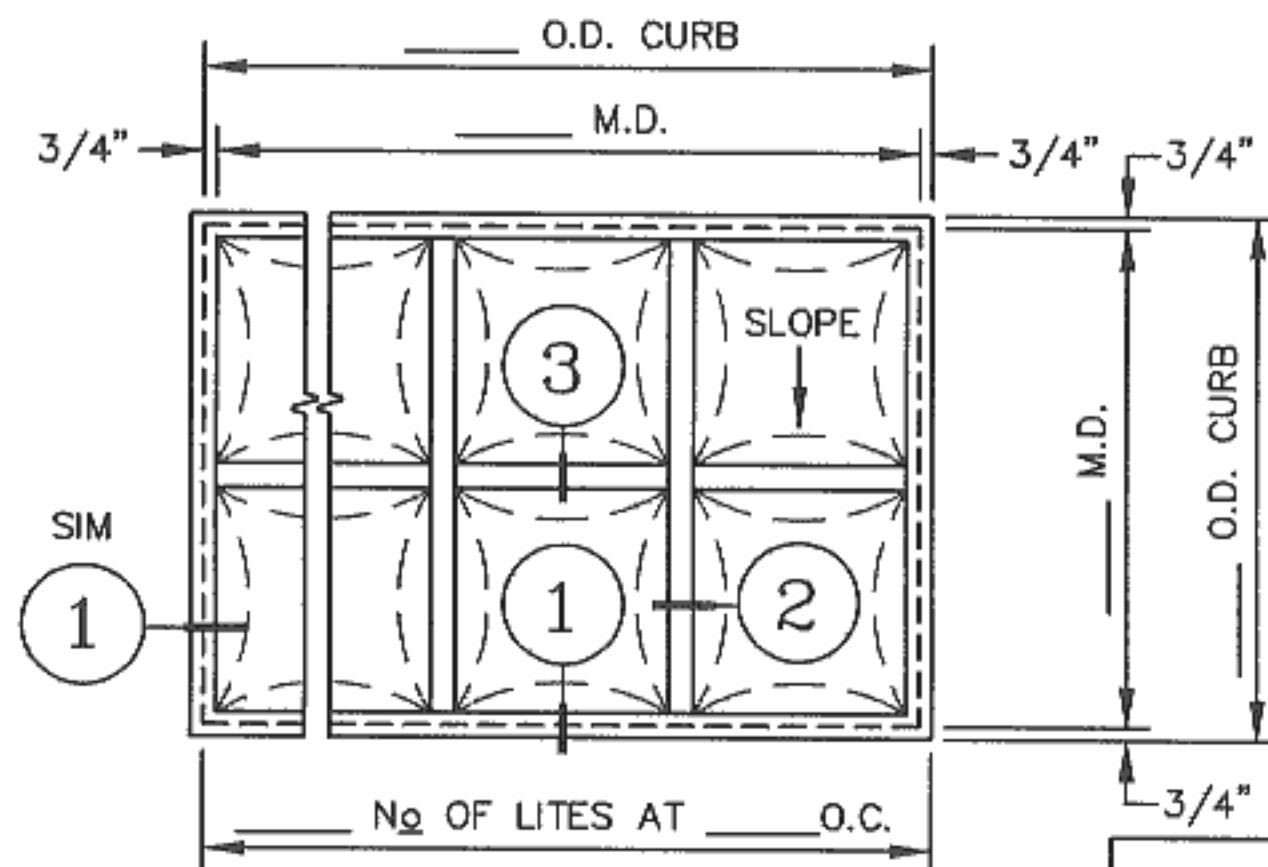


2 TYPICAL RAFTER  
1/2 FULL SCALE



3 CROSS BAR  
1/2 FULL SCALE

1 CURB MOUNTED SILL  
1/2 FULL SCALE

DOMES IN A COMMON FRAME (LONG SPAN)

- o ACRYLIC, SINGLE GLAZED
- o CURB MOUNTED

\_\_\_\_\_ UNITS REQUIRED

- LENS SHAPE:
- DOME (SHOWN) 20% RISE STANDARD
  - PYRAMID 30° PITCH STANDARD
  - DOUBLE HIP 30° PITCH STANDARD
  - SPECIAL \_\_\_\_\_

FINISH :	PROJECT :	FILE : HL35ASD3
GLAZING :	CUSTOMER :	REVISIONS
<input type="checkbox"/> FIELD GLAZED      FIELD MEASUREMENTS AND INSTALLATION BY _____	ARCHITECT :	
<input type="checkbox"/> SHOP GLAZED		

	<b>O'KEEFFE'S, INC.</b> 75 WILLIAMS AVENUE SAN FRANCISCO, CA 94124 TEL.: (415) 822-4222 FAX: (415) 822-5222	DRAWN :	<b>JOB NO.</b>
		DATE :	