

STRUCTURE (BY OTHERS) REQUIRED AT RAFTERS FOR INTERMEDIATE SUPPORT?

YES

NO

LENS SHAPE:

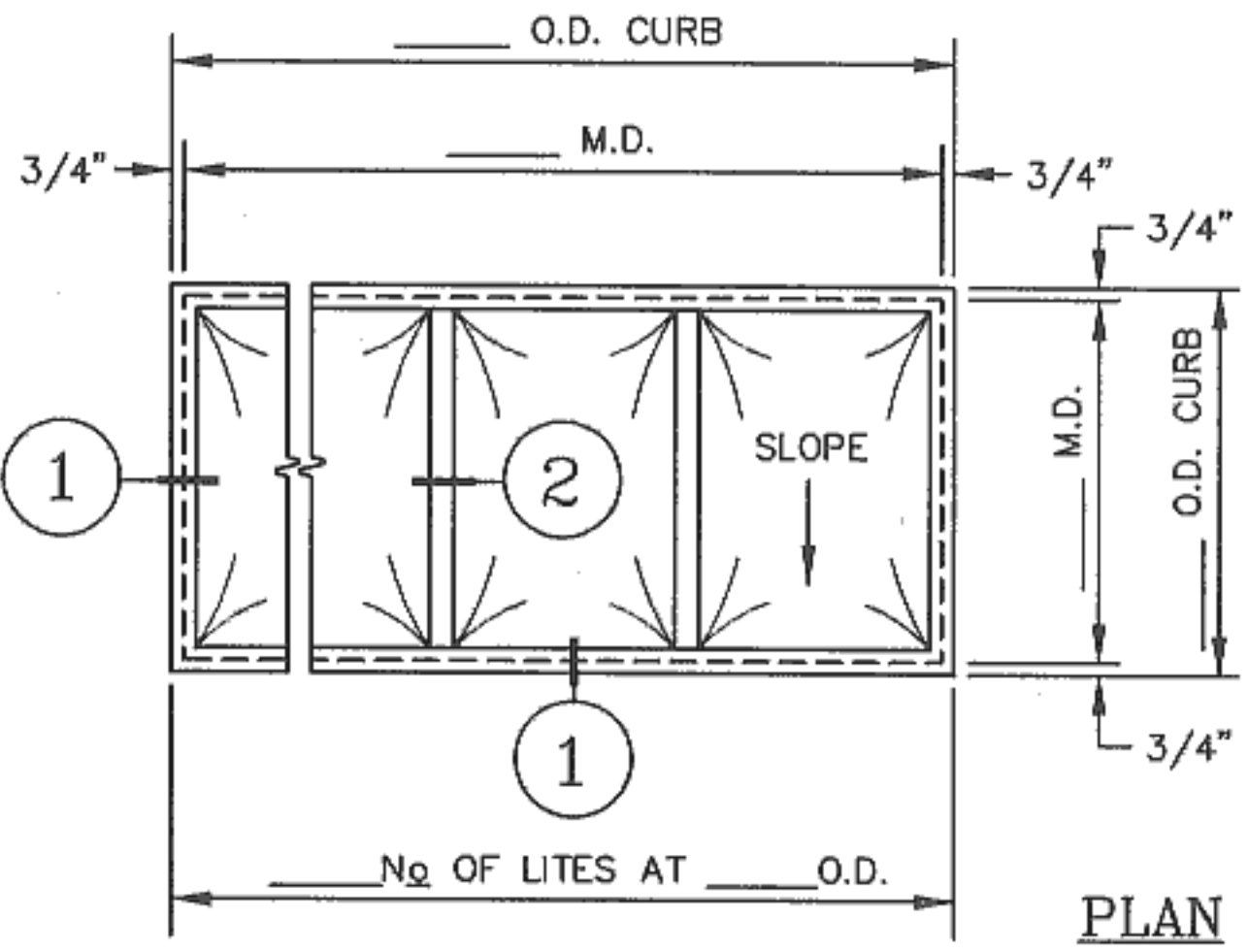
DOME (SHOWN) 20% RISE STANDARD

PYRAMID 30° PITCH STANDARD

DOUBLE HIP 30° PITCH STANDARD

SPECIAL _____

② TYPICAL RAFTER
1/2 FULL SCALE



DOMES IN A COMMON FRAME (LONG SPAN)
1/2 FULL SCALE

o ACRYLIC, SINGLE GLAZED

o CURB MOUNTED

_____ UNITS REQUIRED

① CURB MOUNTED SILL
1/2 FULL SCALE

FINISH :	PROJECT :	FILE : HL35ASD2
GLAZING :	CUSTOMER :	REVISIONS
<input type="checkbox"/> FIELD GLAZED	ARCHITECT :	
<input type="checkbox"/> SHOP GLAZED		
FIELD MEASUREMENTS AND INSTALLATION BY _____		
	75 WILLIAMS AVENUE SAN FRANCISCO, CA 94124 TEL: (415) 822-4222 FAX: (415) 822-5222	DRAWN :
		DATE :
		JOB NO.
		SHEET : _____ OF _____