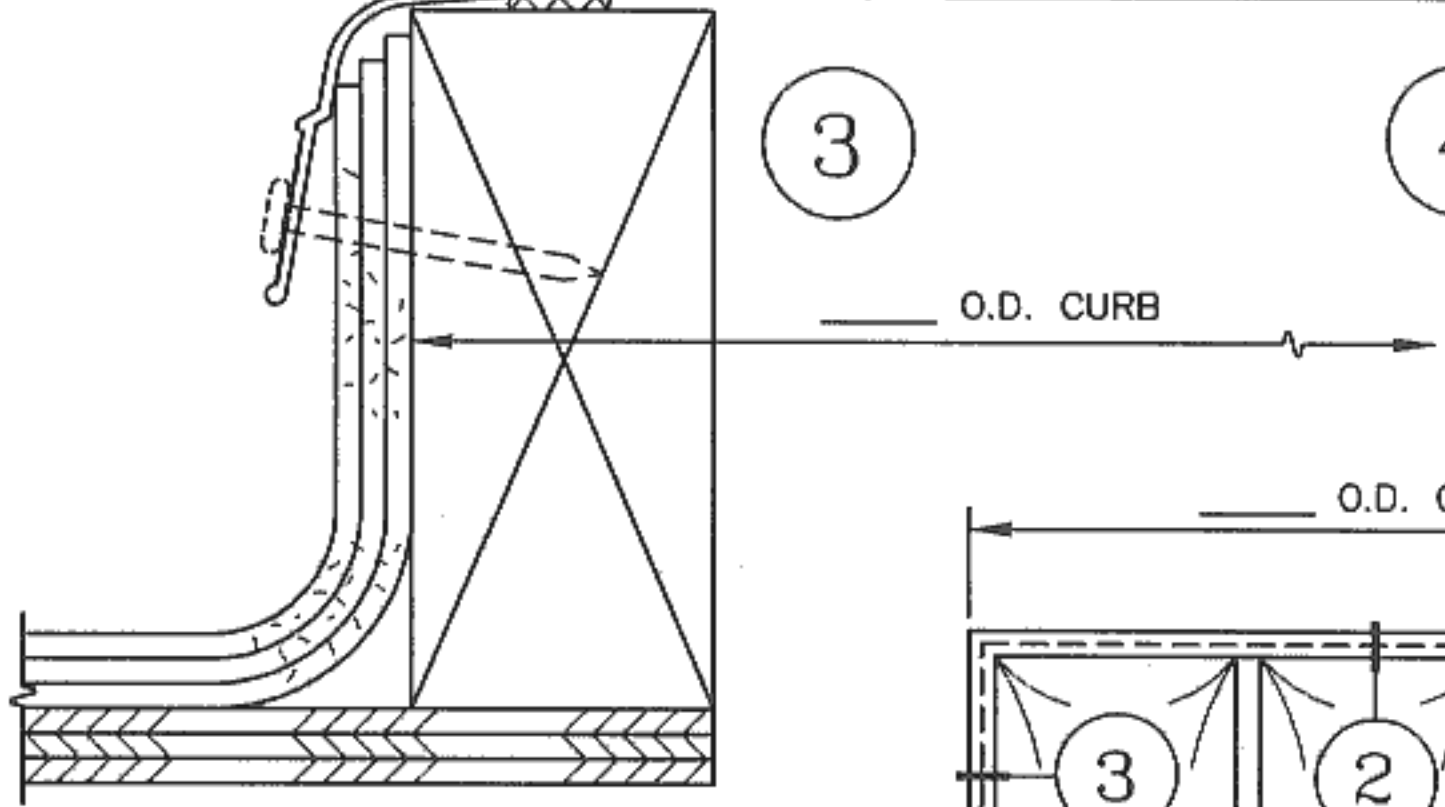
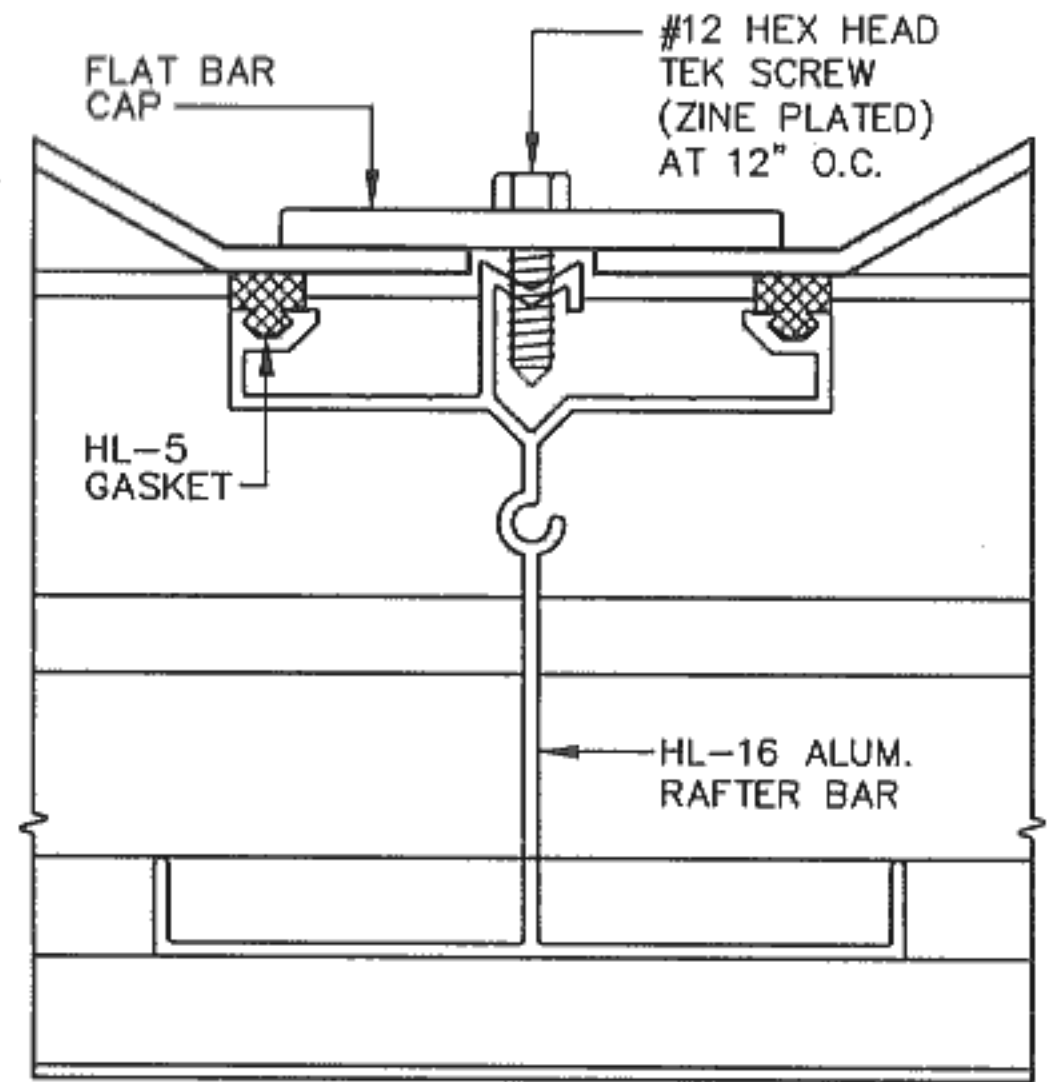
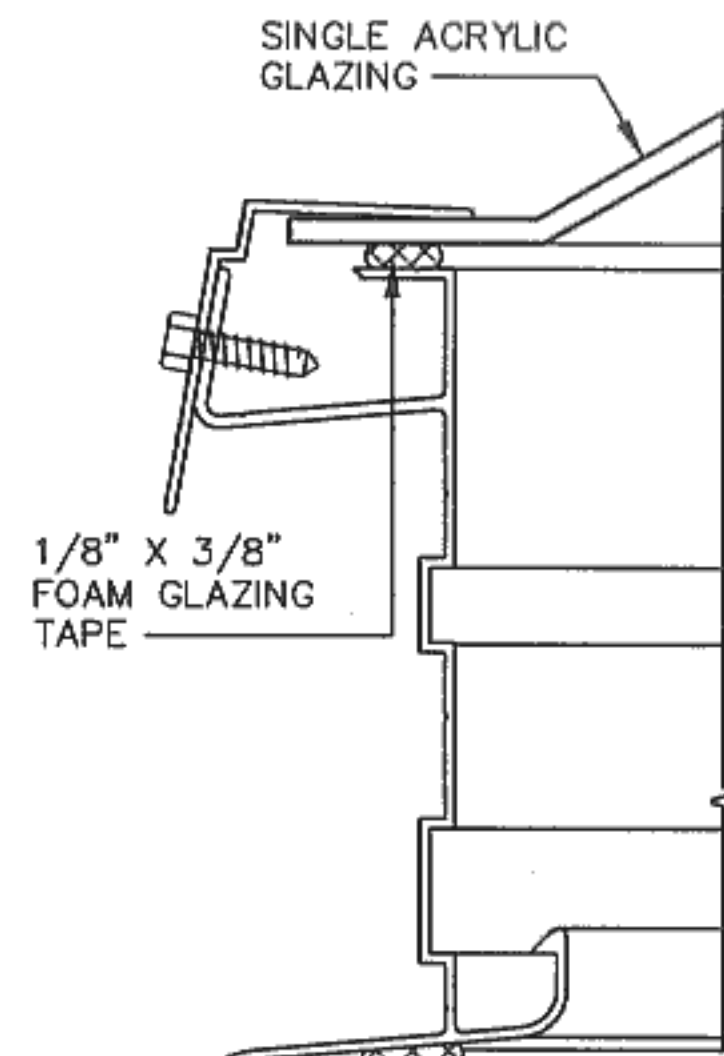
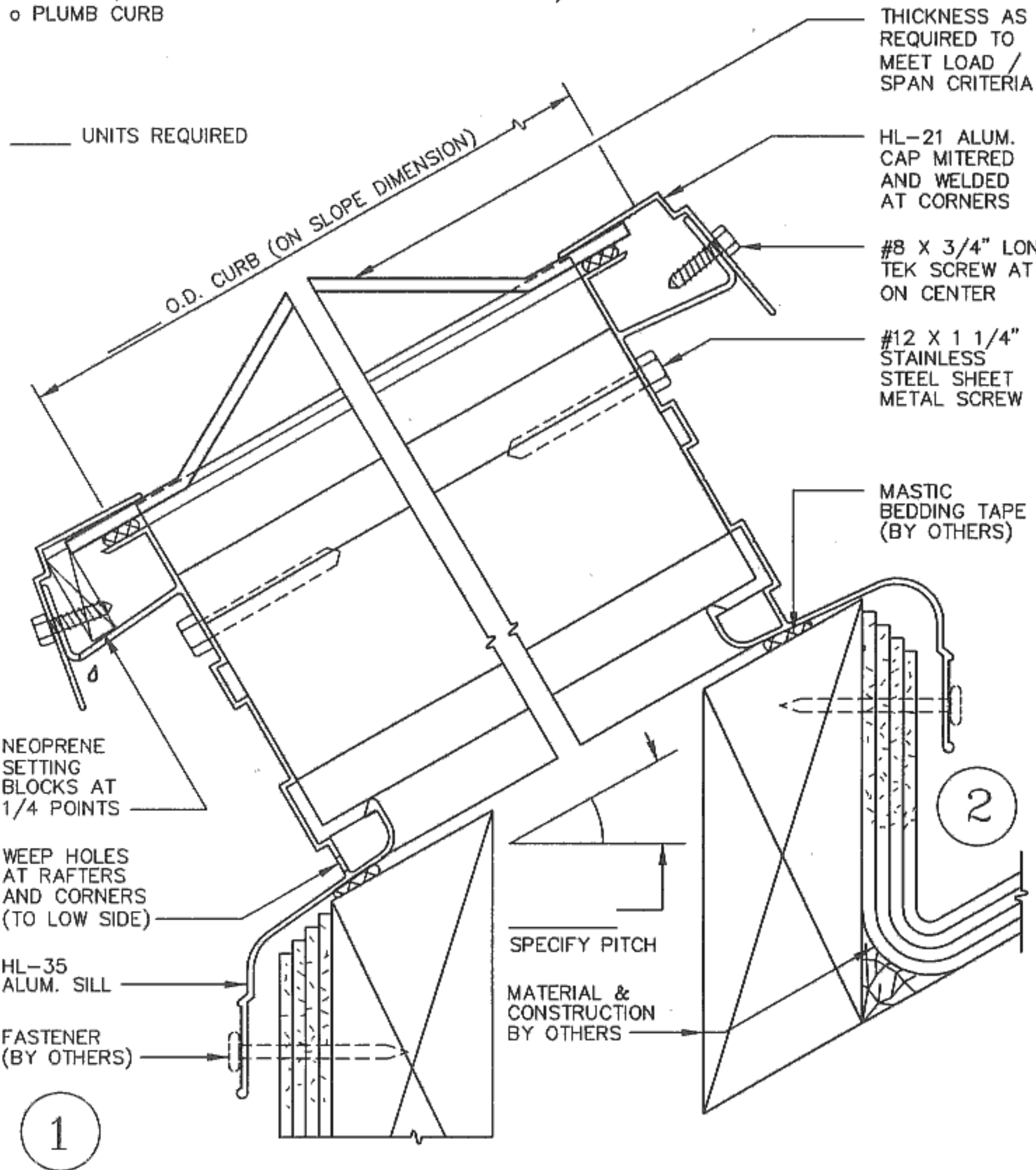


DOMES IN A COMMON FRAME (LONG SPAN)

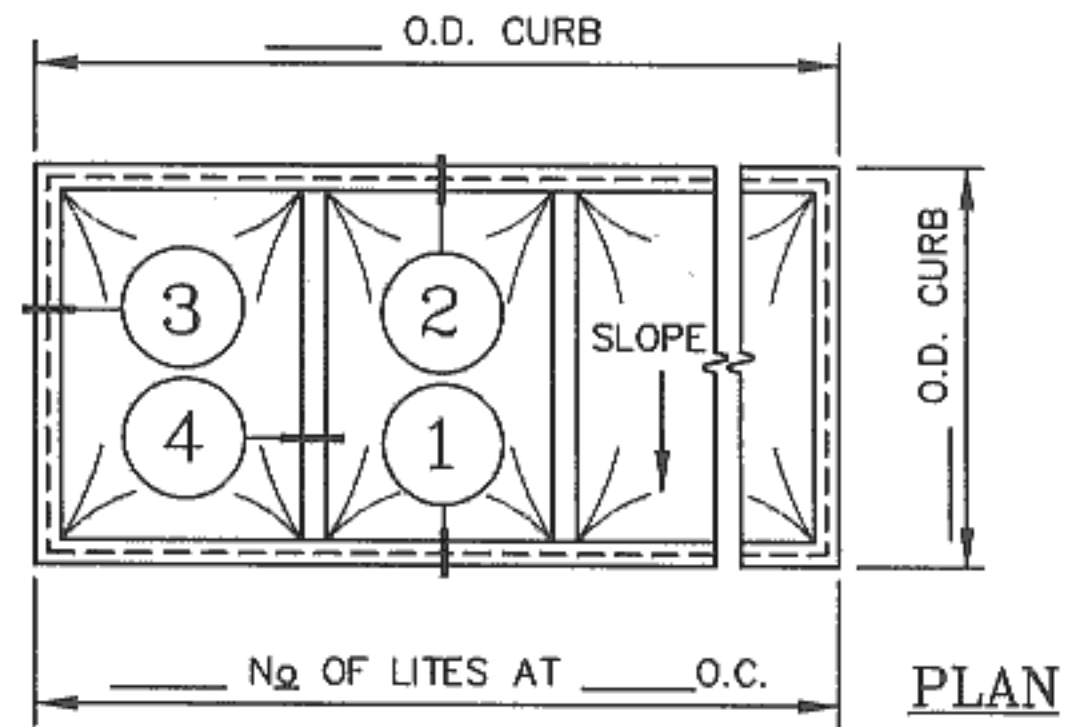
- o ACRYLIC, SINGLE GLAZED
- o PLUMB CURB

1/2 FULL SCALE

UNITS REQUIRED



- LENS SHAPE:
- DOME (SHOWN) 20% RISE STANDARD
 - PYRAMID 30° PITCH STANDARD
 - DOUBLE HIP 30° PITCH STANDARD
 - SPECIAL _____



FINISH : GLAZING : <input type="checkbox"/> FIELD GLAZED FIELD MEASUREMENTS AND INSTALLATION BY _____ <input type="checkbox"/> SHOP GLAZED	PROJECT : CUSTOMER : ARCHITECT :	FILE : HL35ASD1 REVISIONS _____ _____ _____
<div style="display: flex; align-items: center;"> <div> <h2 style="margin: 0;">O'KEEFFE'S, INC.</h2> <p style="margin: 0;">75 WILLIAMS AVENUE SAN FRANCISCO, CA 94124 TEL.: (415) 822-4222 FAX: (415) 822-5222</p> </div> </div>		DRAWN : DATE : JOB NO. SHEET : _____ OF _____