

HL-21 ALUM.  
CAP MITERED  
AND WELDED  
AT CORNERS

1/8" X 3/8"  
FOAM GLAZING  
TAPE

#8 X 3/4" LONG  
HEX HEAD TEK  
SCREWS AT 24"  
ON CENTER

WEEP HOLES

#12 X 1 1/4"  
STAINLESS  
STEEL SHEET  
METAL SCREW

WEEP HOLES  
AT RAFTERS  
AND CORNERS  
(AT LOW SIDE)

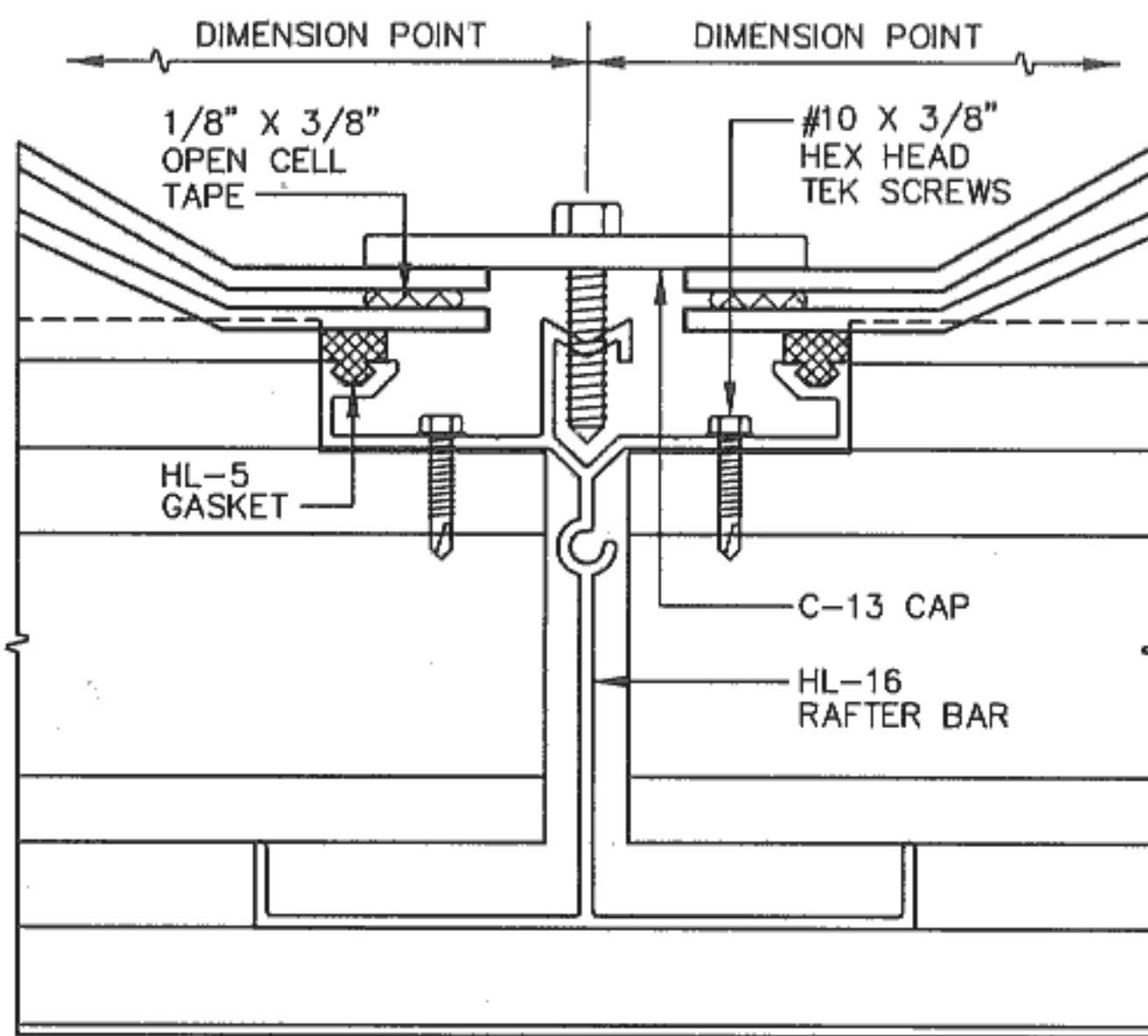
MASTIC  
BEDDING TAPE  
(BY OTHERS)

FASTENER  
(BY OTHERS)

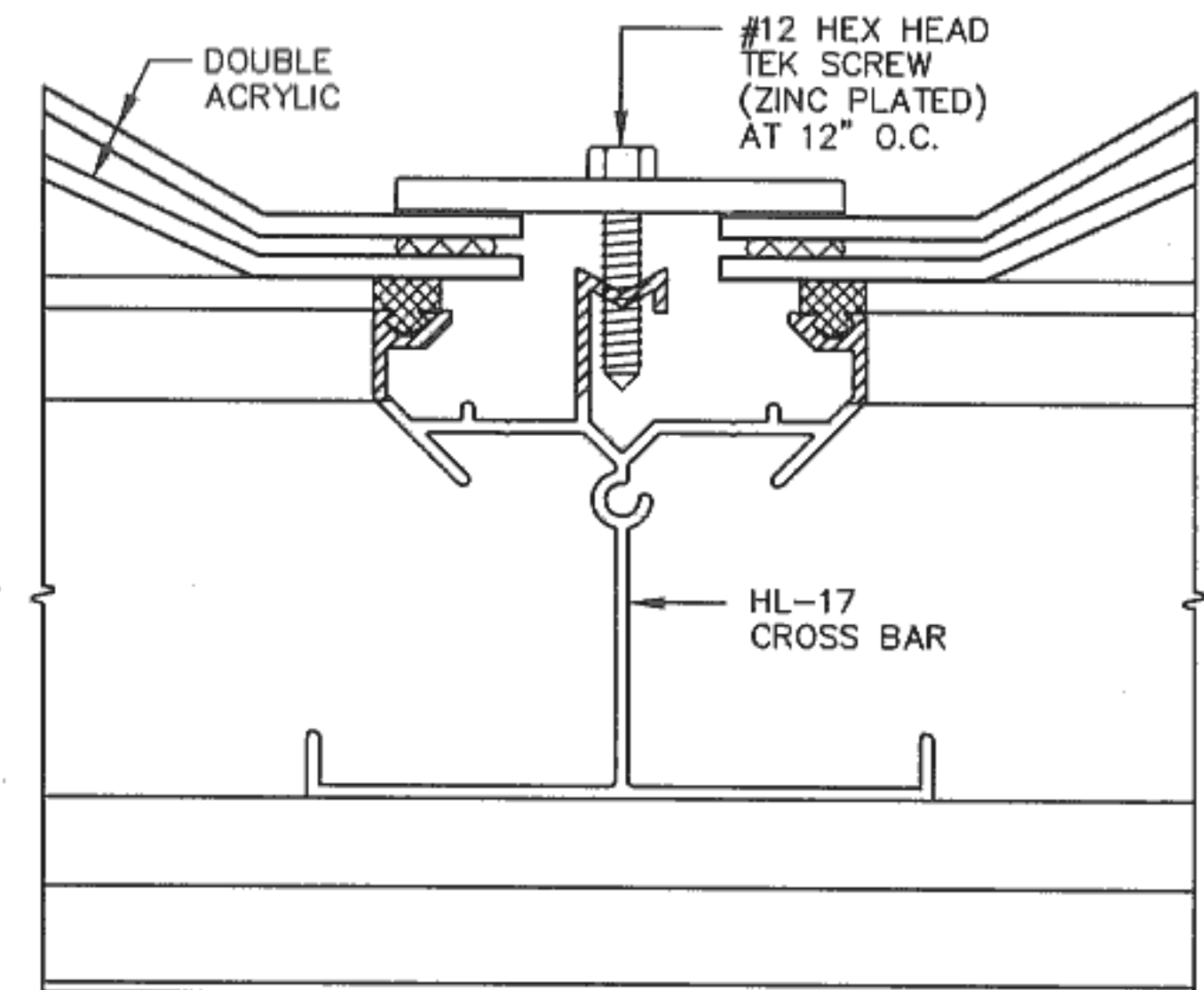
HL-35  
ALUM. SILL

MATERIAL AND  
CONSTRUCTION  
BY OTHERS

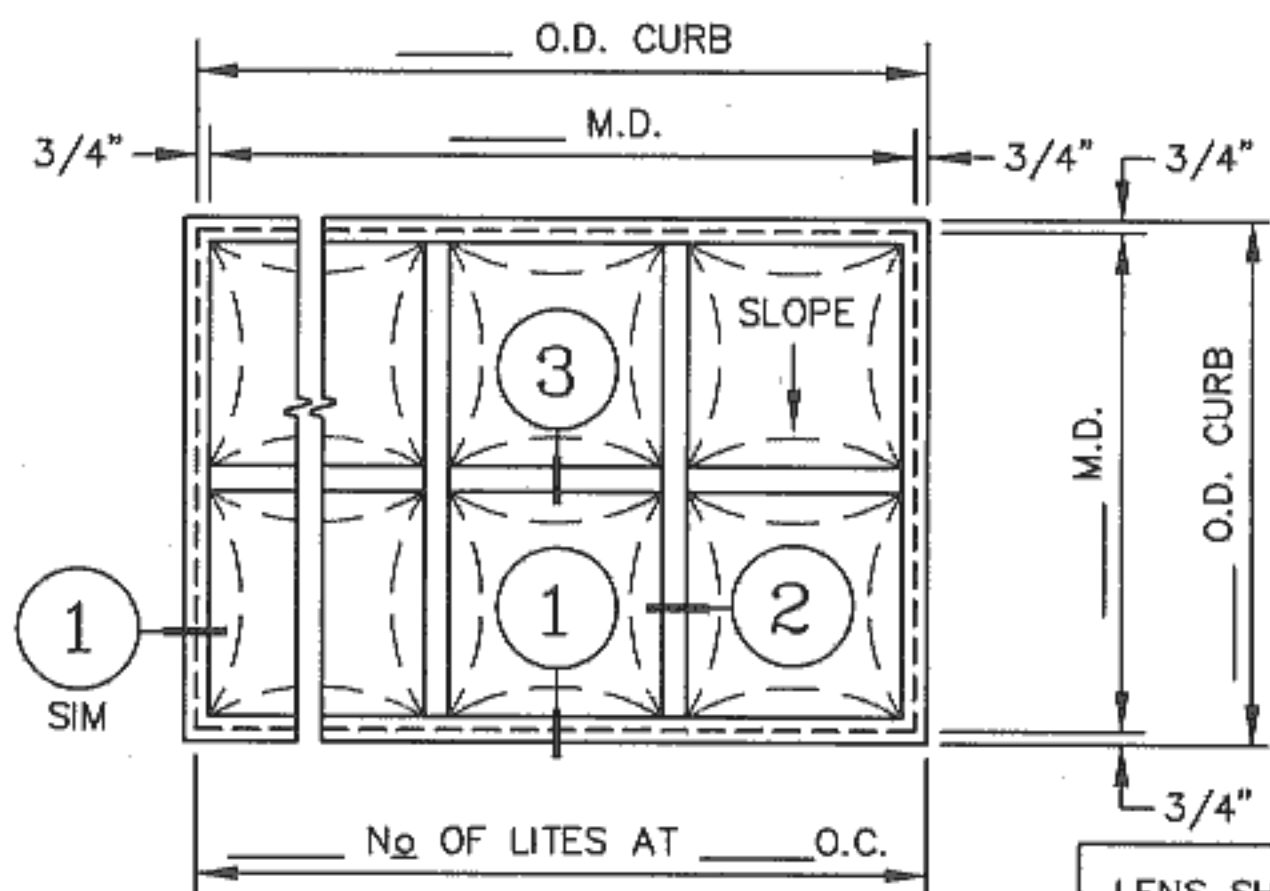
1 CURB MOUNTED SILL  
1/2 FULL SCALE



2 TYPICAL RAFTER  
1/2 FULL SCALE



3 CROSS BAR  
1/2 FULL SCALE



**DOMES IN A COMMON FRAME (LONG SPAN)**

- o ACRYLIC, DOUBLE DOME
- o CURB MOUNTED

\_\_\_\_\_ UNITS REQUIRED

LENS SHAPE:

<input type="checkbox"/>	DOME (SHOWN) 20% RISE STANDARD
<input type="checkbox"/>	PYRAMID 30° PITCH STANDARD
<input type="checkbox"/>	DOUBLE HIP 30° PITCH STANDARD
<input type="checkbox"/>	SPECIAL _____

FINISH :

GLAZING :

FIELD GLAZED      FIELD MEASUREMENTS  
 SHOP GLAZED      AND INSTALLATION BY \_\_\_\_\_

PROJECT :

CUSTOMER :

ARCHITECT :

FILE : HL35ADD1

REVISIONS



75 WILLIAMS AVENUE  
SAN FRANCISCO, CA 94124  
TEL: (415) 822-4222  
FAX: (415) 822-5222

DRAWN :

DATE :

JOB NO.

SHEET : \_\_\_\_\_ OF \_\_\_\_\_