

1/8" X 3/8"
FOAM GLAZING
TAPE

HL-21 ALUM. CAP
MITERED & WELDED
AT CORNERS

#8 X 3/4" LONG
HEX HEAD TEKS
SCREW AT 24" O.C.

WEEP HOLES

#12 X 1 1/4"
STAINLESS STEEL
SHEET METAL SCREW

WEEP HOLES AT
RAFTERS & CORNERS
(TO LOW SIDE)

MASTIC BEDDING
TAPE (BY OTHERS)

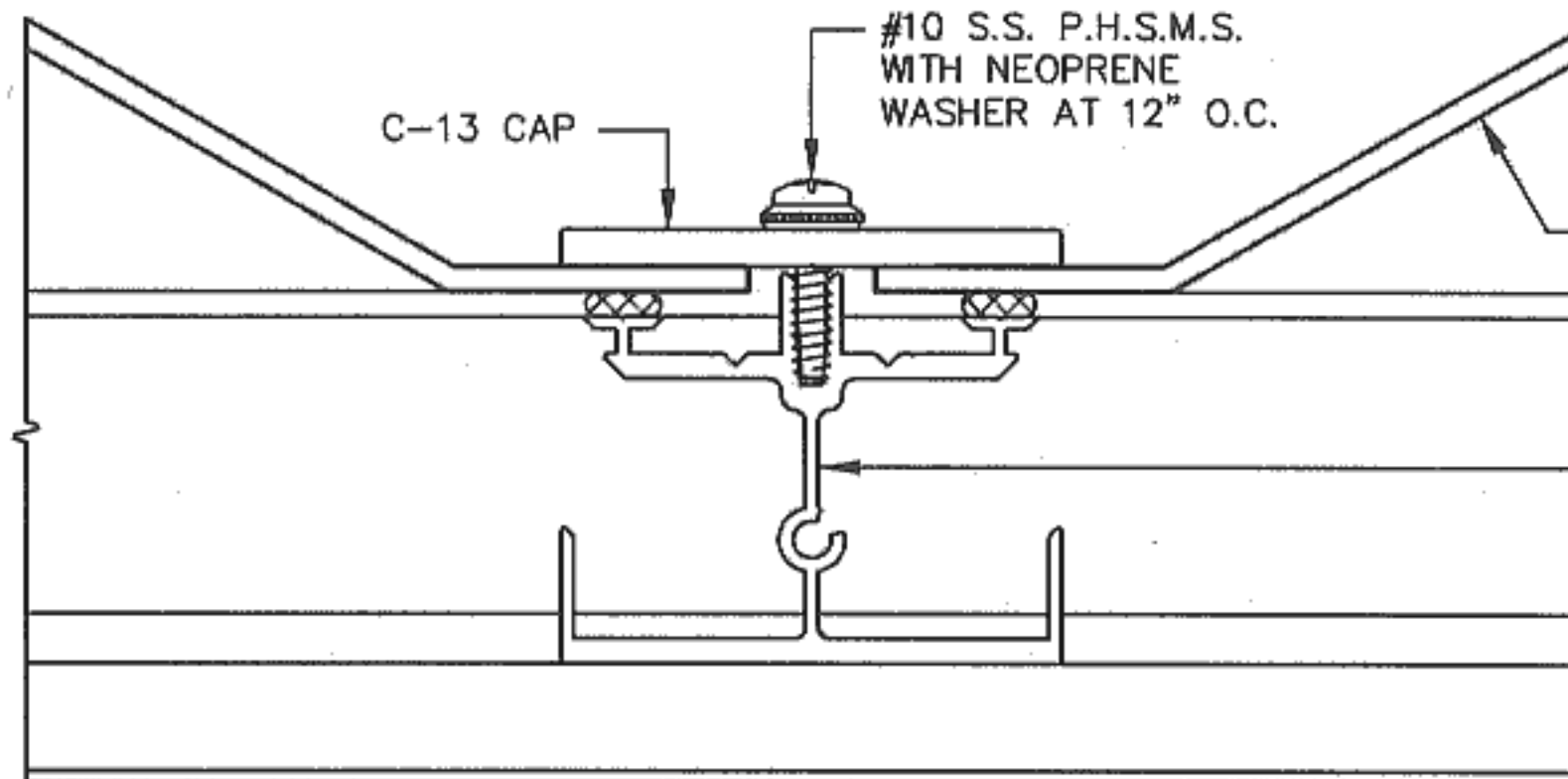
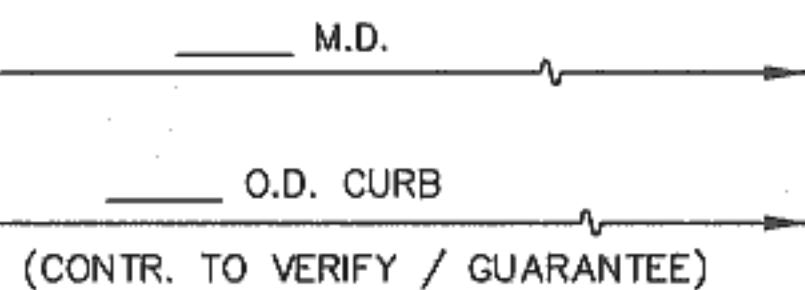
FASTENER
(BY OTHERS)

HL-34
ALUM. SILL

MATERIAL &
CONSTRUCTION
BY OTHERS

THICKNESS AS REQUIRED
TO MEET LOAD / SPAN
CRITERIA

① CURB MOUNTED SILL
1/2 FULL SCALE

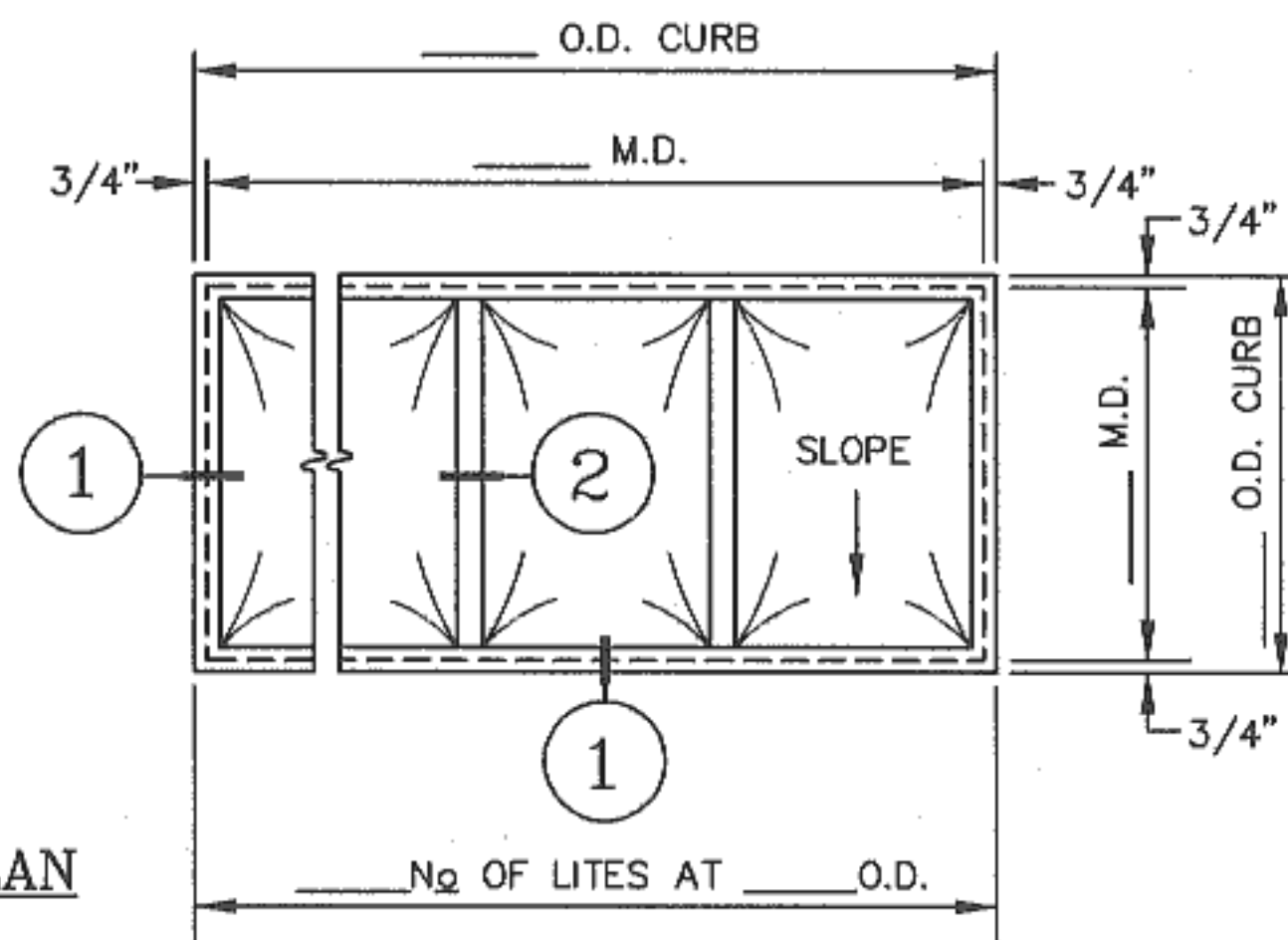


② TYPICAL RAFTER
1/2 FULL SCALE

DOMES IN A COMMON FRAME (SHORT SPAN)
1/2 FULL SCALE

- ACRYLIC, SINGLE GLAZED
- CURB MOUNTED, FIXED

_____ UNITS REQUIRED



PLAN

STRUCTURE (BY OTHERS)
REQUIRED AT RAFTERS FOR
INTERMEDIATE SUPPORT?

YES

NO

LENS SHAPE:

DOME (SHOWN) 20% RISE STANDARD

PYRAMID 30° PITCH STANDARD

DOUBLE HIP 30° PITCH STANDARD

SPECIAL _____

ICBO #: 3710

FINISH :	PROJECT :	FILE : HL34ASD1
GLAZING :	CUSTOMER :	REVISIONS
<input type="checkbox"/> FIELD GLAZED FIELD MEASUREMENTS <input type="checkbox"/> SHOP GLAZED AND INSTALLATION BY _____	ARCHITECT :	

O'KEEFFE'S, INC.

75 WILLIAMS AVENUE
SAN FRANCISCO, CA 94124
TEL.: (415) 822-4222
FAX: (415) 822-5222

DRAWN :
DATE :

JOB NO.
SHEET : _____ OF _____