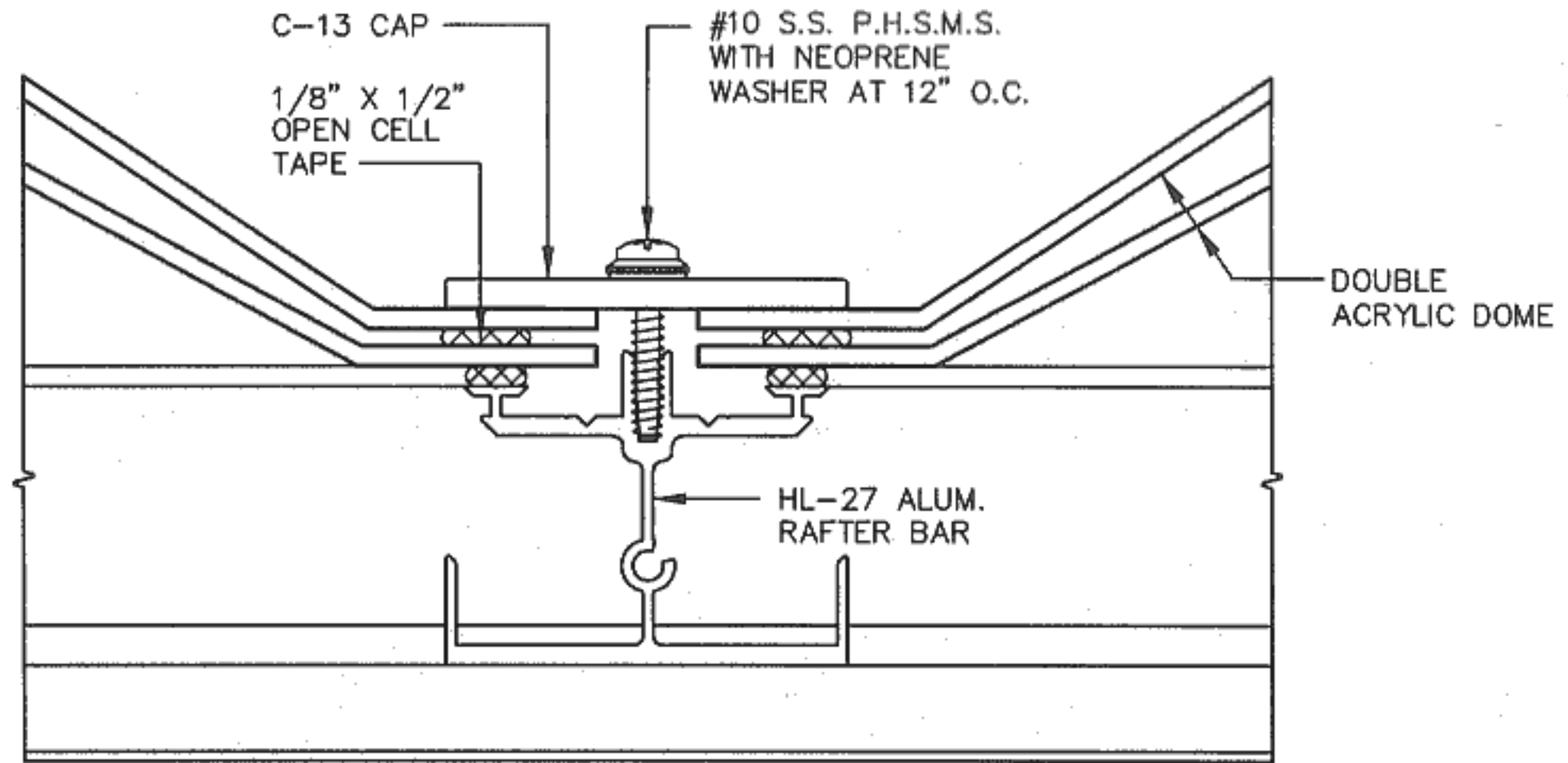


① CURB MOUNTED SILL
1/2 FULL SCALE

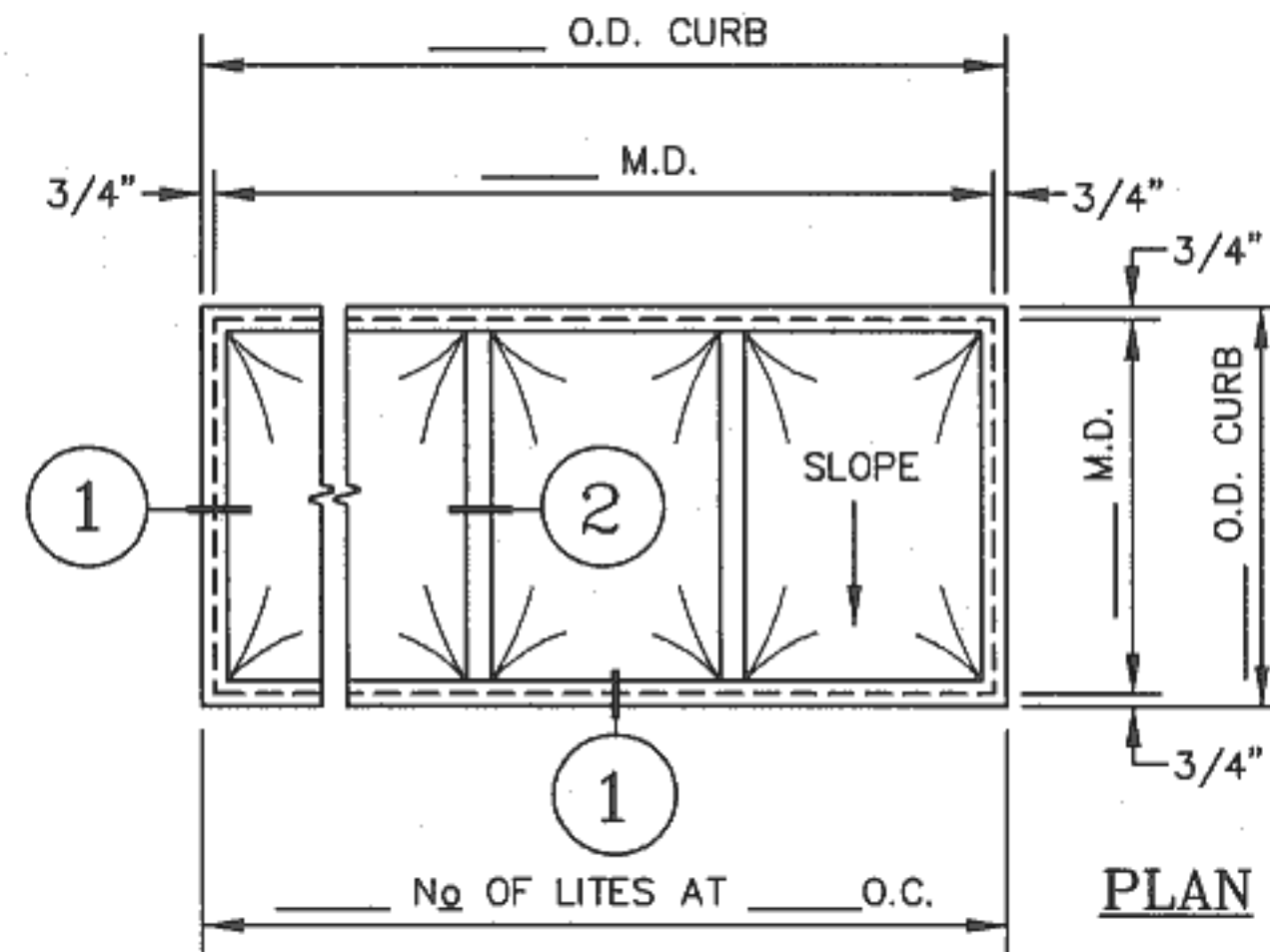


② TYPICAL RAFTER
1/2 FULL SCALE

DOMES IN A COMMON FRAME (SHORT SPAN)
1/2 FULL SCALE

- ACRYLIC, DOUBLE GLAZED
- CURB MOUNTED, FIXED

_____ UNITS REQUIRED



PLAN

STRUCTURE (BY OTHERS) REQUIRED AT RAFTERS FOR INTERMEDIATE SUPPORT?

YES

NO

LENS SHAPE:

- DOME (SHOWN) 20% RISE STANDARD
- PYRAMID 30° PITCH STANDARD
- DOUBLE HIP 30° PITCH STANDARD
- SPECIAL _____

ICBO #: 3710

FINISH :	PROJECT :	FILE : HL34ADD1
GLAZING :	CUSTOMER :	REVISIONS
<input type="checkbox"/> FIELD GLAZED FIELD MEASUREMENTS AND INSTALLATION BY _____	ARCHITECT :	
<input type="checkbox"/> SHOP GLAZED		

O'KEEFFE'S, INC.

75 WILLIAMS AVENUE
SAN FRANCISCO, CA 94124
TEL.: (415) 822-4222
FAX: (415) 822-5222

DRAWN :
DATE :

JOB NO.
SHEET : _____ OF _____