

# FORMED RIDGE WITH PLUMB CURB (LONG SPAN)

1/2 FULL SCALE

- o ACRYLIC, SINGLE GLAZED
- o TUBULAR RAFTER (TB-300) OR (TB-3)
- o MIN. 2 IN 12 PITCH RECOMMENDED

\_\_\_\_\_ UNITS REQUIRED

NEOPRENE SETTING BLOCKS AT 1/4 POINTS

.040 ALUM. SETTING BLOCK SUPPORT

#8 X 3/4" LONG HEX HEAD TEK SCREW AT 24" ON CENTER

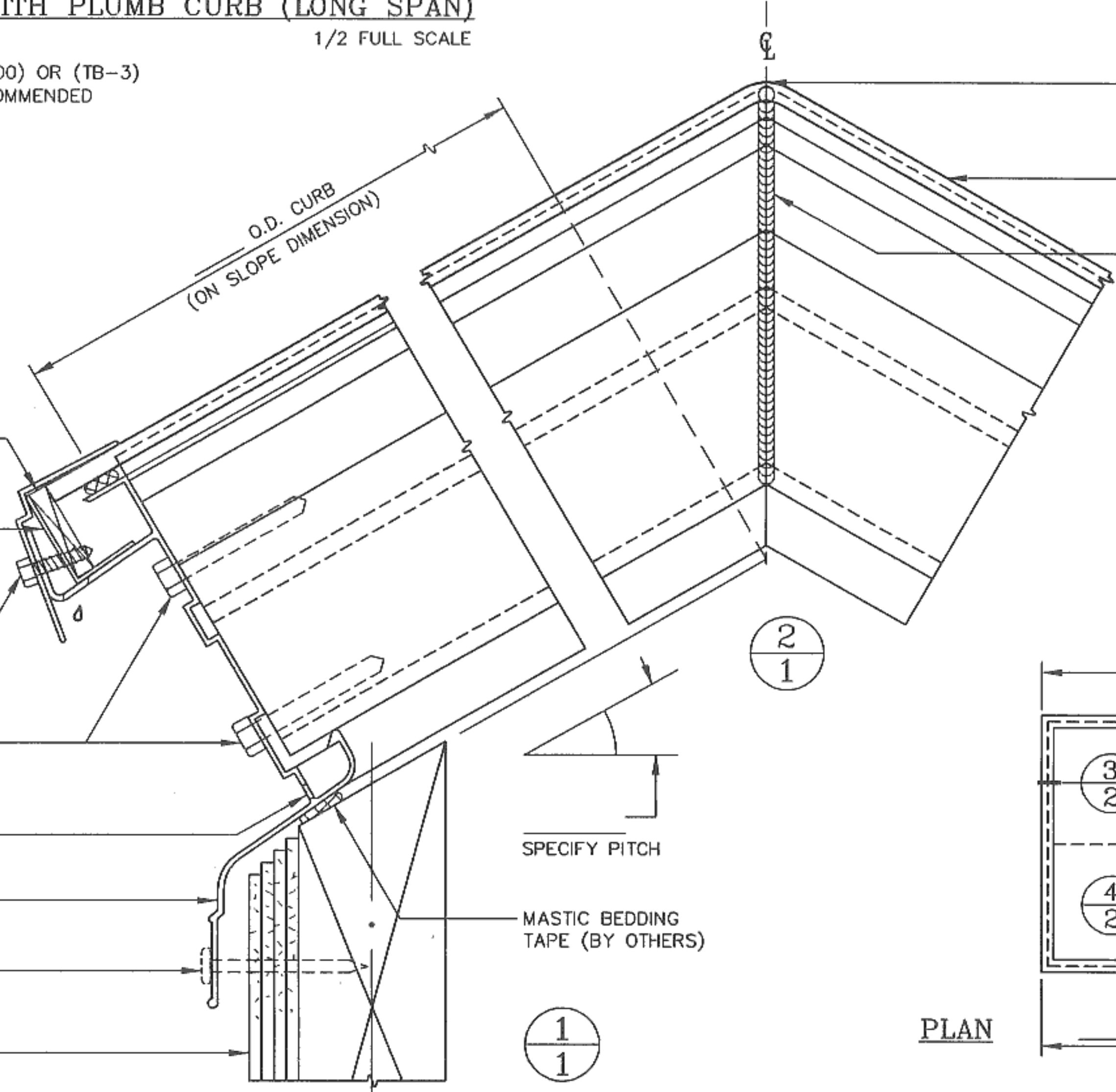
#12 X 1 1/4" STAINLESS STEEL SHEET METAL SCREW

WEEP HOLES AT RAFTERS & CORNERS

HL-35 ALUM. SILL

FASTENER (BY OTHERS)

MATERIAL AND CONSTRUCTION BY OTHERS



"STRIP" FORMED ACRYLIC RIDGE

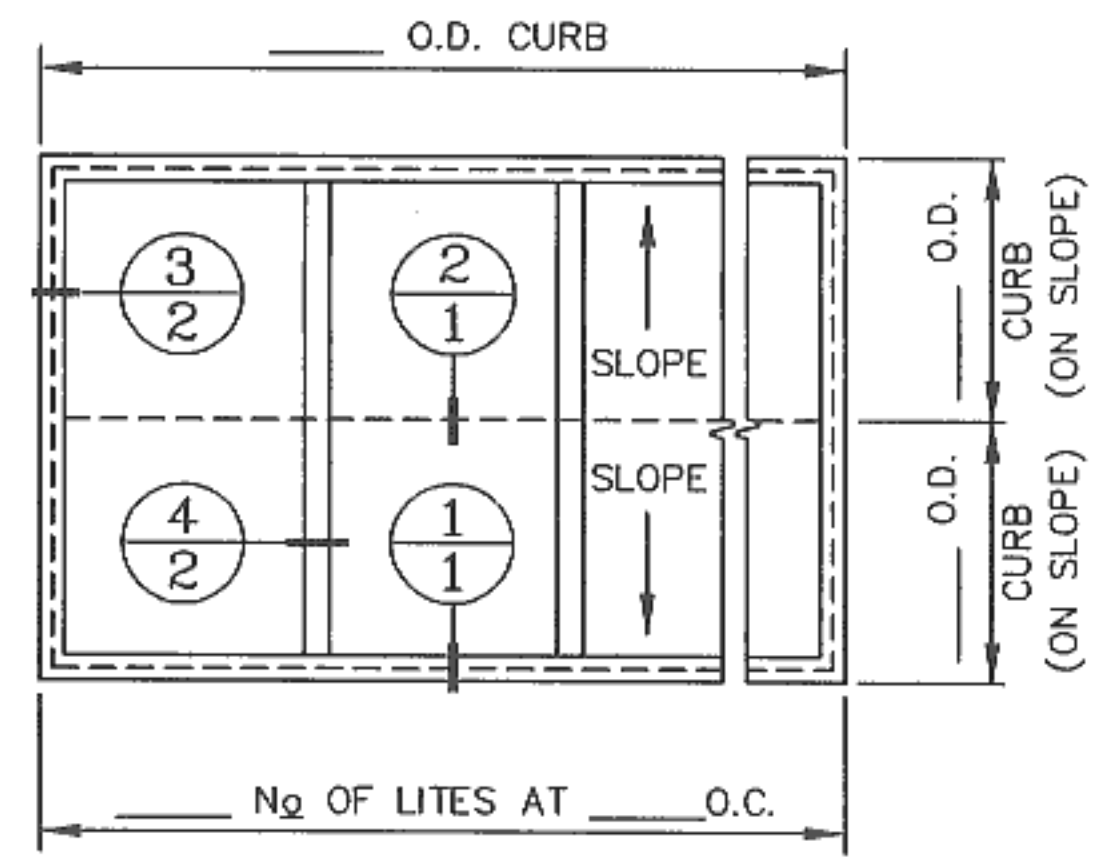
SINGLE ACRYLIC

WELD TB-300 OR TB-3 AT RIDGE

SPECIFY PITCH

MASTIC BEDDING TAPE (BY OTHERS)

1/1



PLAN

FINISH :		PROJECT :	FILE : HL35ASG3
GLAZING :		CUSTOMER :	REVISIONS
<input type="checkbox"/> FIELD GLAZED	FIELD MEASUREMENTS AND INSTALLATION BY _____	ARCHITECT :	
<input type="checkbox"/> SHOP GLAZED			

**O'KEEFFE'S, INC.**

75 WILLIAMS AVENUE  
SAN FRANCISCO, CA 94124  
TEL.: (415) 822-4222  
FAX: (415) 822-5222

DRAWN :  
DATE :

**JOB NO.**  
SHEET : 1 OF 2