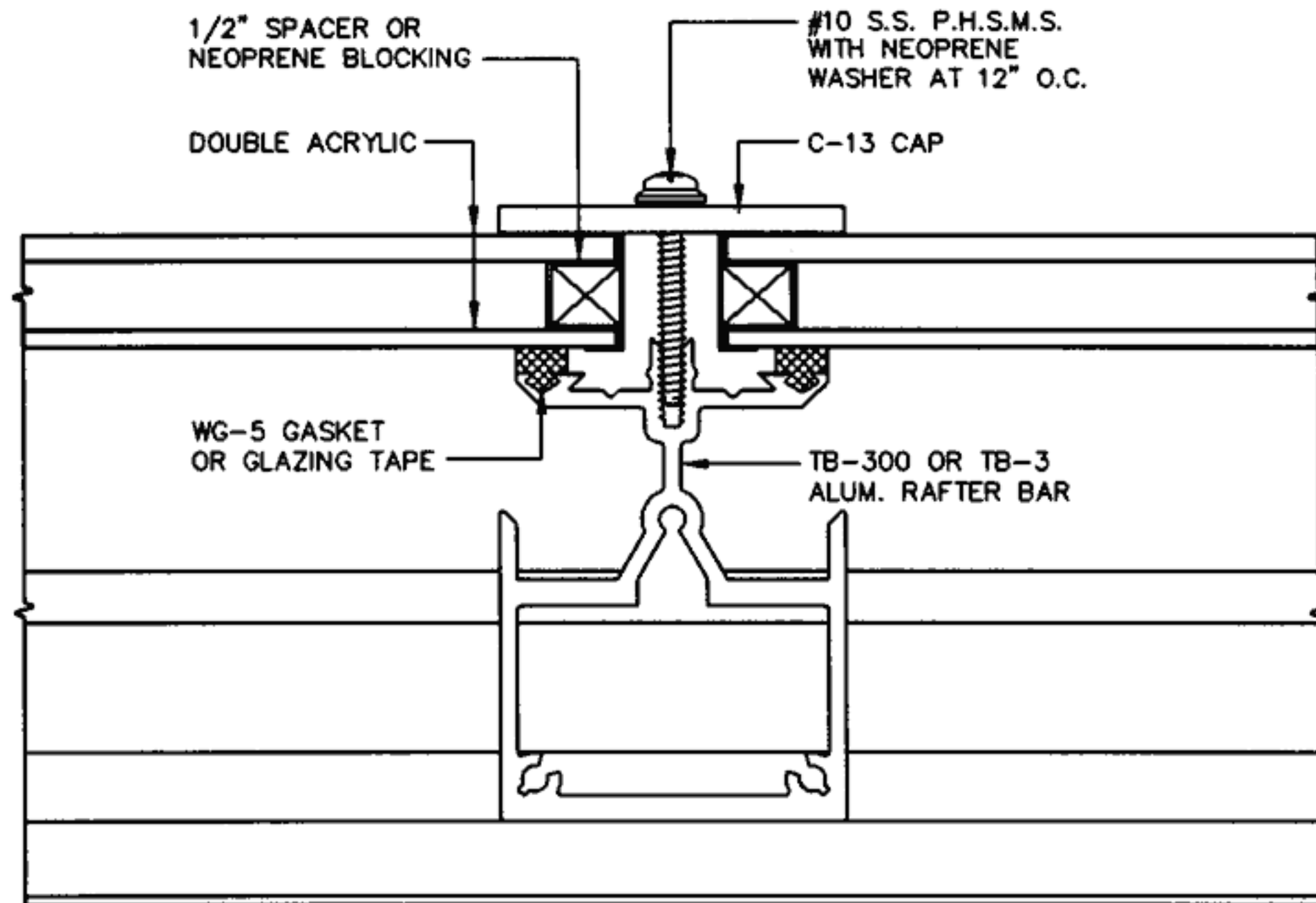
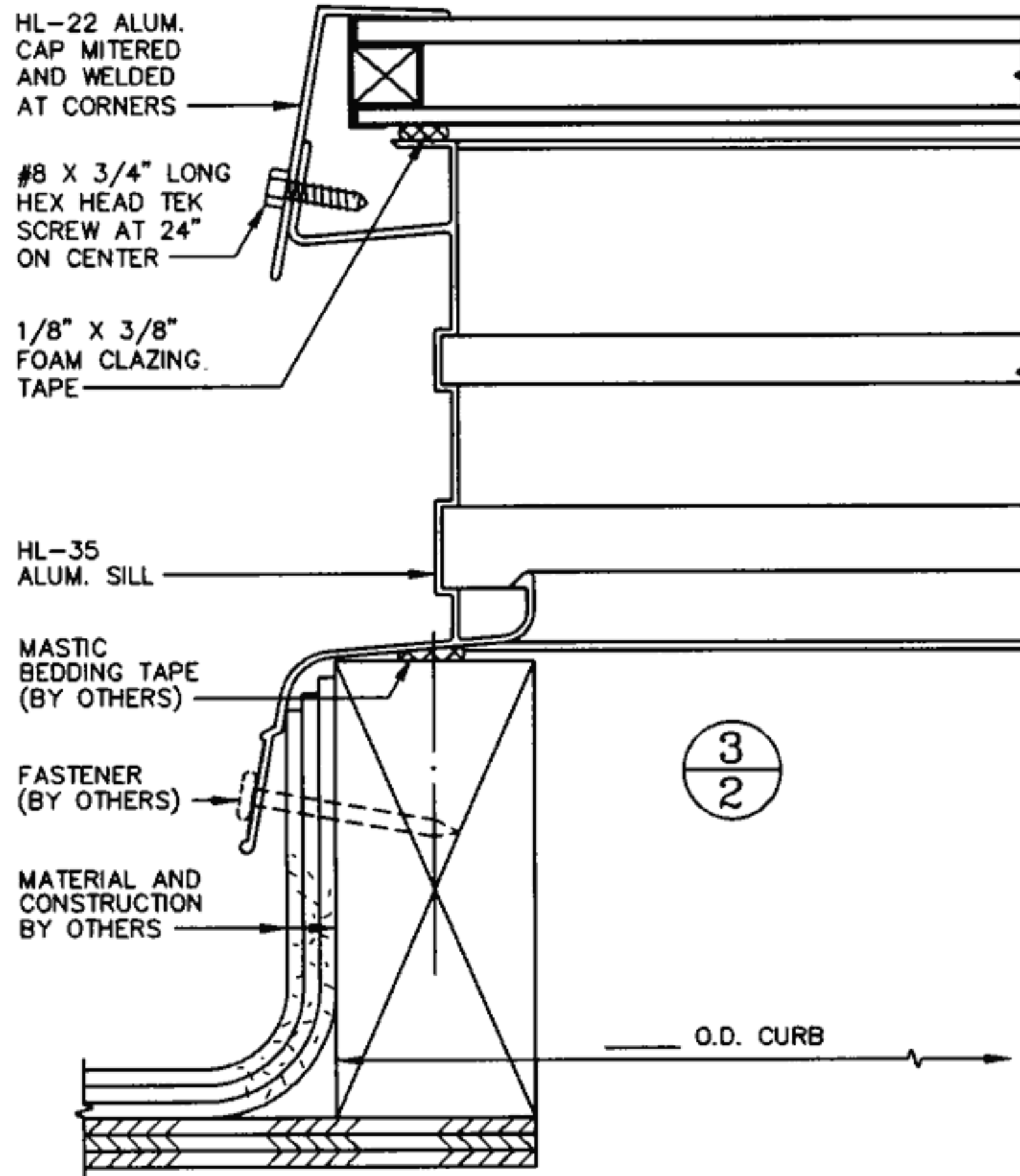


FORMED RIDGE WITH PLUMB CURB (LONG SPAN)

1/2 FULL SCALE

- o ACRYLIC, DOUBLE GLAZED
- o TUBULAR RAFTER (TB-300) OR (TB-3)
- o MIN. 4 IN 12 PITCH RECOMMENDED



3
2

4
2

NOTE:
UNLIKE GLASS, A TRUE HERMETIC SEAL CANNOT BE ATTAINED WITH DOUBLE GLAZED ACRYLIC, SOME CONDENSATION MAY DEVELOPE. CLEAN ONLY WITH RECOMMENDED CLEANING SOLUTIONS.

FINISH :

GLAZING :

FIELD GLAZED FIELD MEASUREMENTS AND INSTALLATION BY _____

SHOP GLAZED

PROJECT :

CUSTOMER :

ARCHITECT :

FILE : HL35ADG4

REVISIONS

O'KEEFFE'S, INC.

75 WILLIAMS AVENUE
SAN FRANCISCO, CA 94124
TEL.: (415) 822-4222
FAX: (415) 822-5222

DRAWN :

DATE :

JOB NO.

SHEET : 2 OF 2