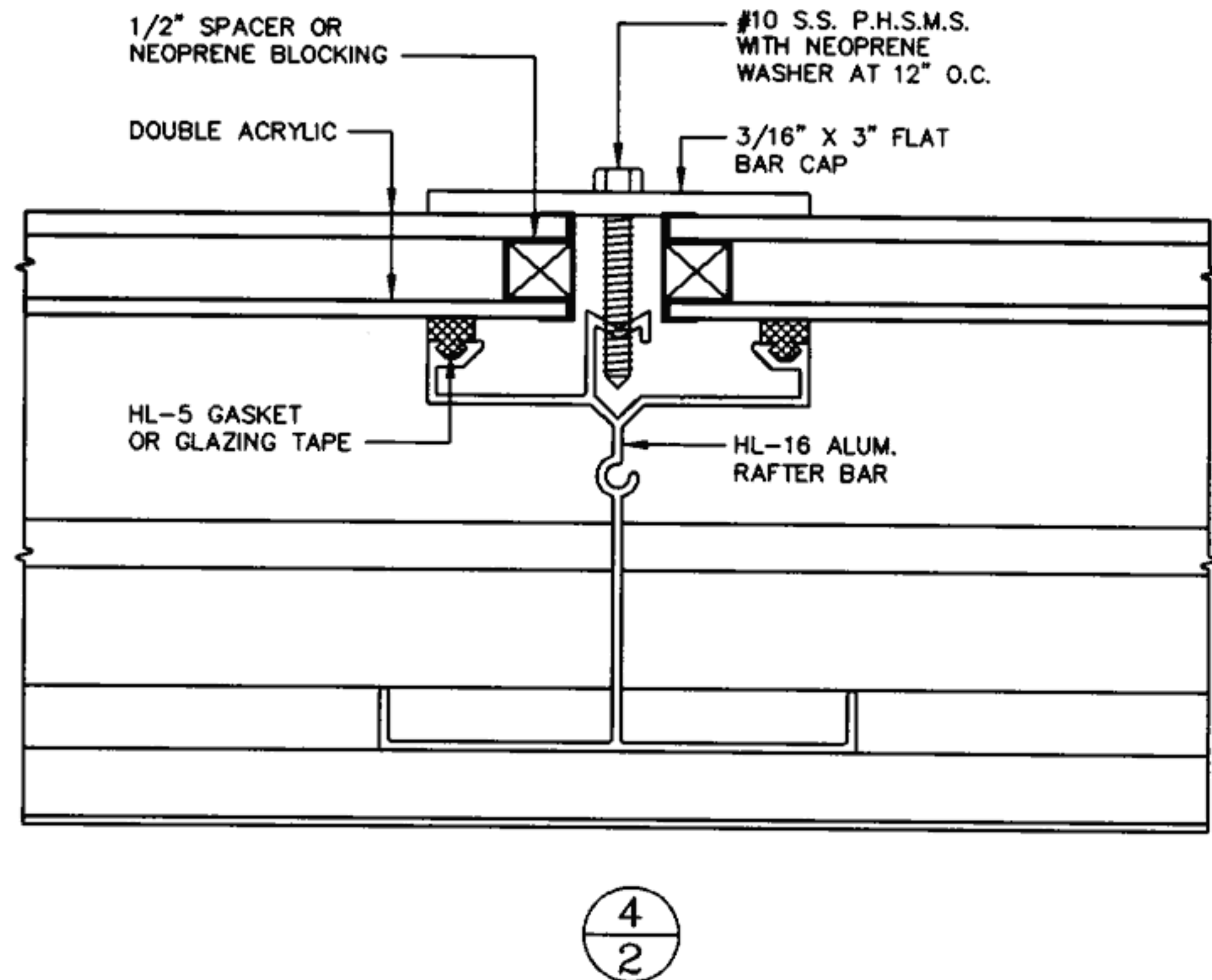
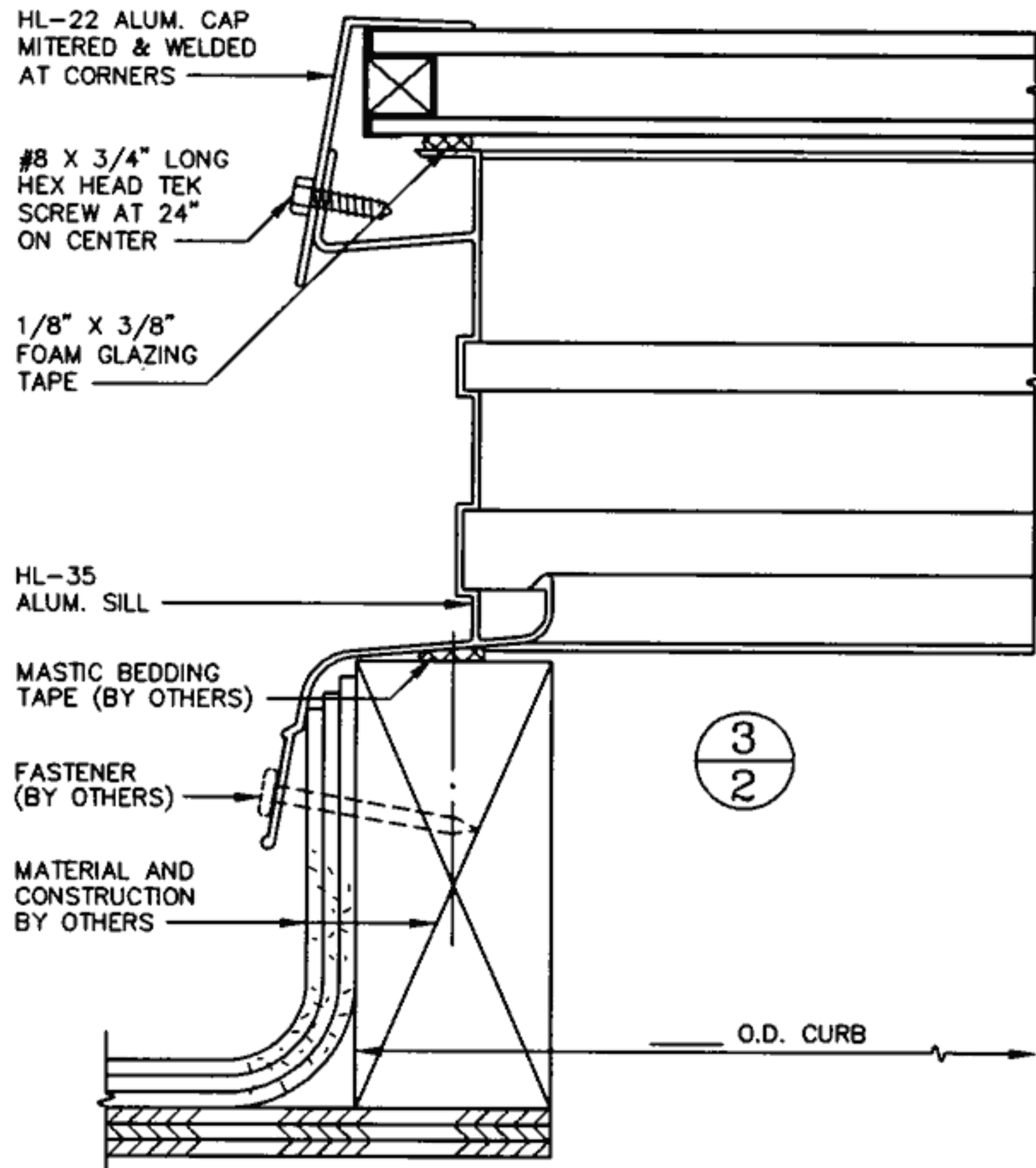


FORMED RIDGE WITH PLUMB CURB (LONG SPAN)

1/2 FULL SCALE

- o ACRYLIC, DOUBLE GLAZED
- o I-BEAM RAFTER (HL-16)
- o MIN. 4 IN 12 PITCH RECOMMENDED



NOTE:
UNLIKE GLASS, A TRUE HERMETIC SEAL CANNOT BE ATTAINED WITH DOUBLE GLAZED ACRYLIC, SOME CONDENSATION MAY DEVELOPE. CLEAN ONLY WITH RECOMMENDED CLEANING SOLUTIONS.

FINISH : GLAZING : <input type="checkbox"/> FIELD GLAZED FIELD MEASUREMENTS <input type="checkbox"/> SHOP GLAZED AND INSTALLATION BY _____	PROJECT : CUSTOMER : ARCHITECT :	FILE : HL35ADG2 REVISIONS JOB NO. _____ SHEET : <u>2</u> OF <u>2</u>
O'KEEFFE'S, INC.		75 WILLIAMS AVENUE SAN FRANCISCO, CA 94124 TEL.: (415) 822-4222 FAX: (415) 822-5222
		DRAWN : _____ DATE : _____