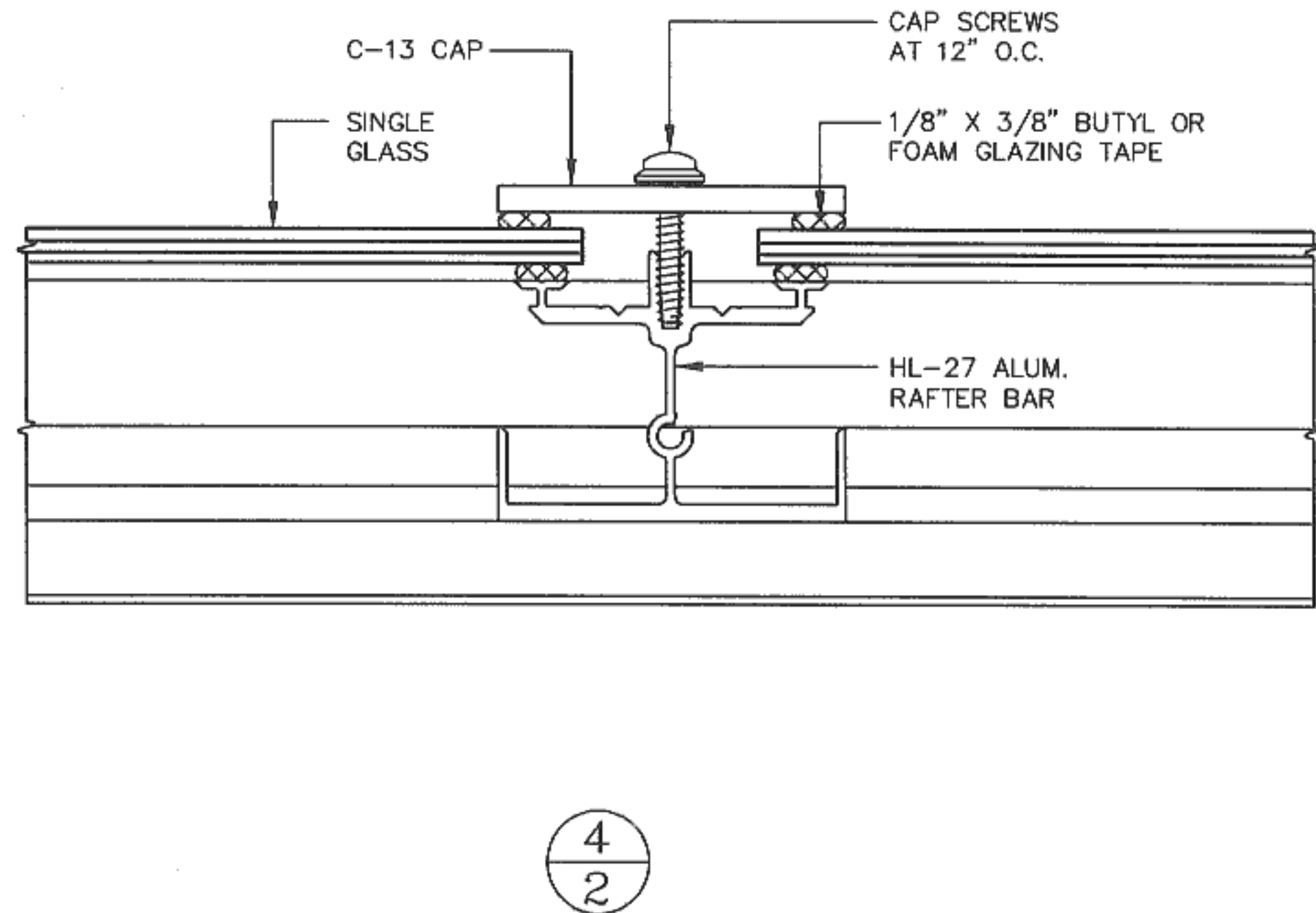
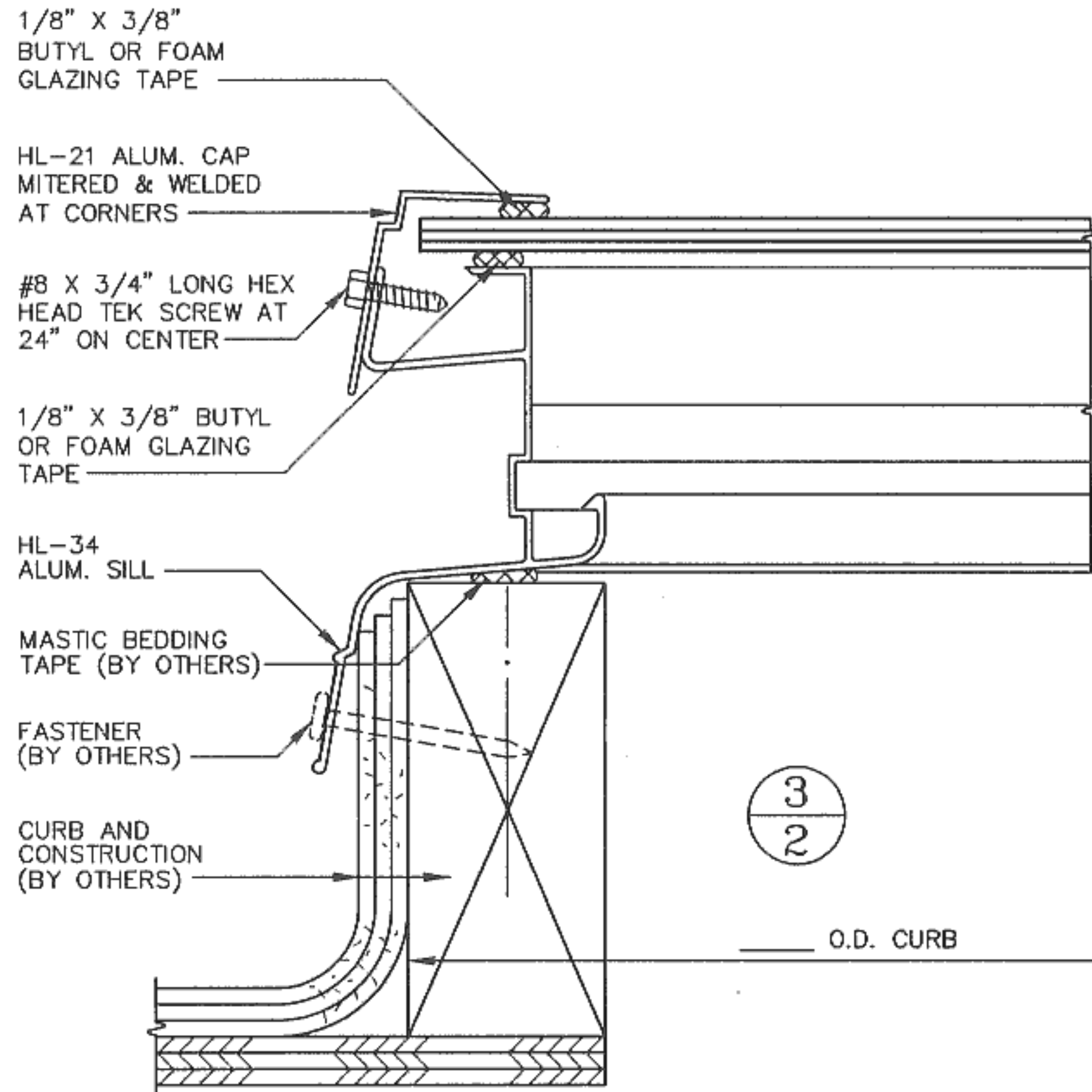


DOUBLE PITCH WITH PLUMB CURB (SHORT SPAN)

1/2 FULL SCALE

- o GLASS, SINGLE GLAZED
- o I-BEAM RAFTER (HL-27)



FINISH :	PROJECT :	FILE : HL34DSG2
GLAZING :	CUSTOMER :	REVISIONS
<input type="checkbox"/> FIELD GLAZED FIELD MEASUREMENTS <input type="checkbox"/> SHOP GLAZED AND INSTALLATION BY _____	ARCHITECT :	
O'KEEFFE'S, INC.	75 WILLIAMS AVENUE SAN FRANCISCO, CA 94124 TEL: (415) 822-4222 FAX: (415) 822-5222	JOB NO.
	DRAWN :	SHEET : 2 OF 2
	DATE :	