

# FORMED RIDGE WITH PLUMB CURB (SHORT SPAN)

1/2 FULL SCALE

- o ACRYLIC, SINGLE GLAZED
- o I-BEAM RAFTER (HL-27)
- o MIN. 4 IN 12 PITCH RECOMMENDED

\_\_\_\_\_ UNITS REQUIRED

NEOPRENE  
SETTING BLOCKS  
WITH ALUM.  
SUPPORT AT  
1/4 POINTS

HL-21 ALUM.  
CAP

#8 X 3/4" LONG  
HEX HEAD TEK  
SCREW AT 24"  
ON CENTER

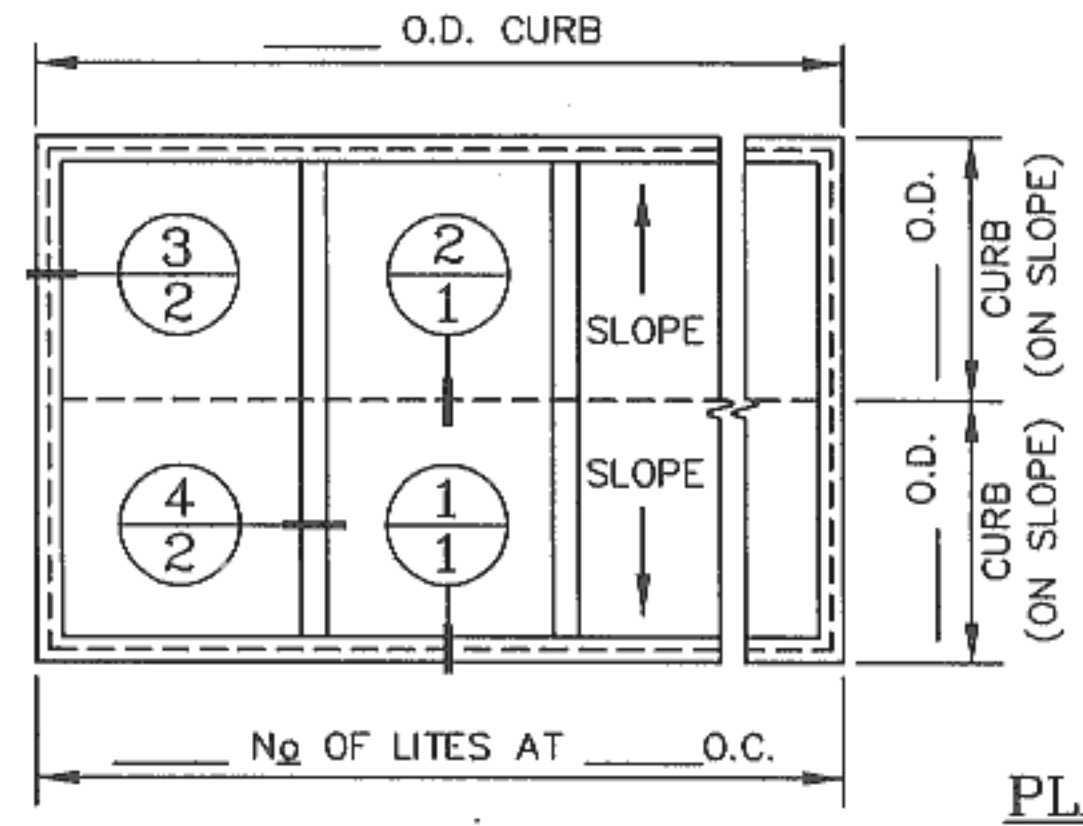
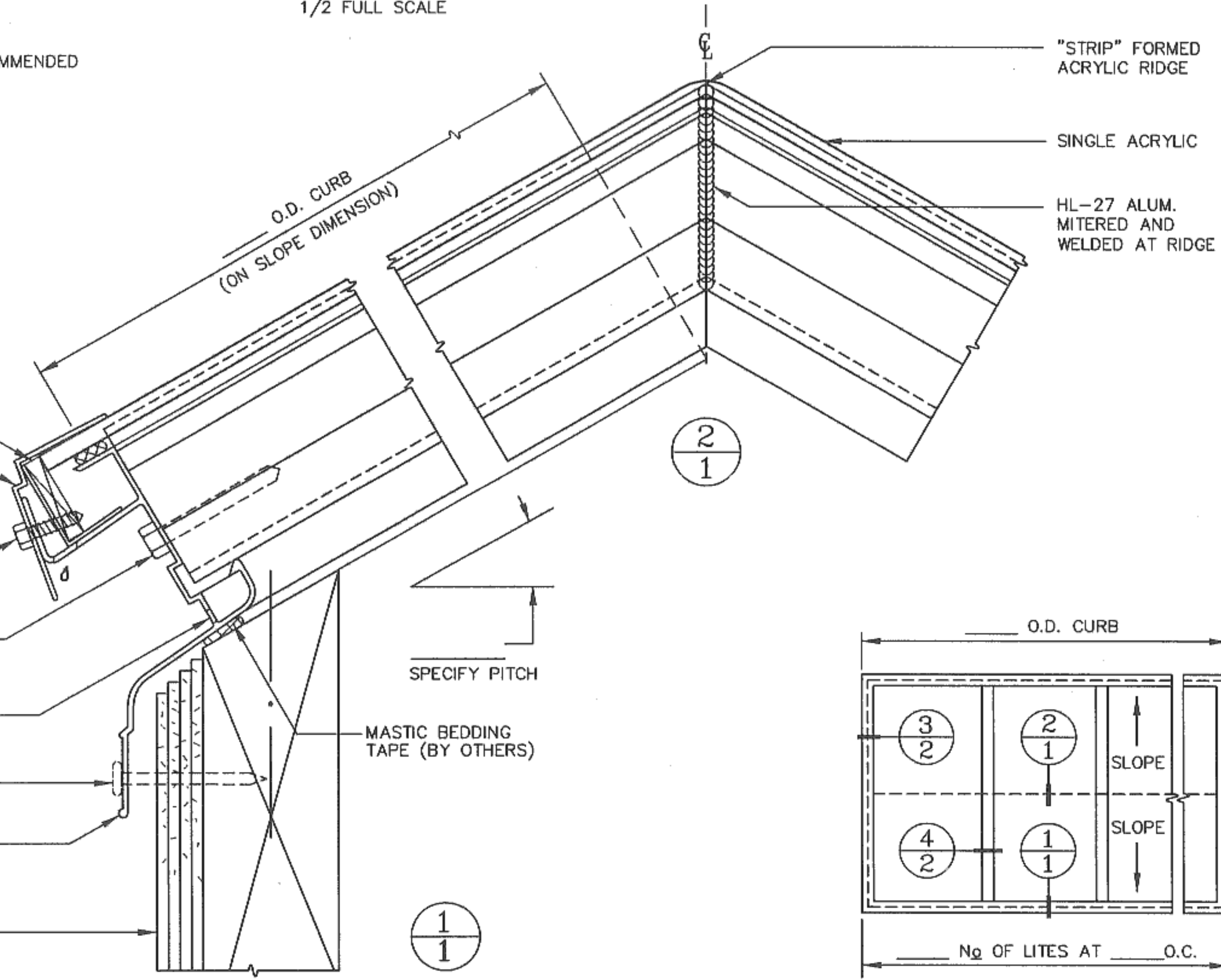
#12 X 1 1/4"  
STAINLESS STEEL  
SHEET METAL SCREW

WEEP HOLES  
AT RAFTERS  
& CORNERS

FASTENER  
(BY OTHERS)


MODIFIED HL-34  
ALUMINUM SILL

MATERIAL AND  
CONSTRUCTION  
BY OTHERS



PLAN

FINISH :	PROJECT :	FILE : HL34ASG1
GLAZING :	CUSTOMER :	REVISIONS
<input type="checkbox"/> FIELD GLAZED      FIELD MEASUREMENTS <input type="checkbox"/> SHOP GLAZED      AND INSTALLATION BY _____	ARCHITECT :	

 <b>O'KEEFFE'S, INC.</b>	75 WILLIAMS AVENUE SAN FRANCISCO, CA 94124 TEL: (415) 822-4222 FAX: (415) 822-5222	DRAWN :	<b>JOB NO.</b>
		DATE :	