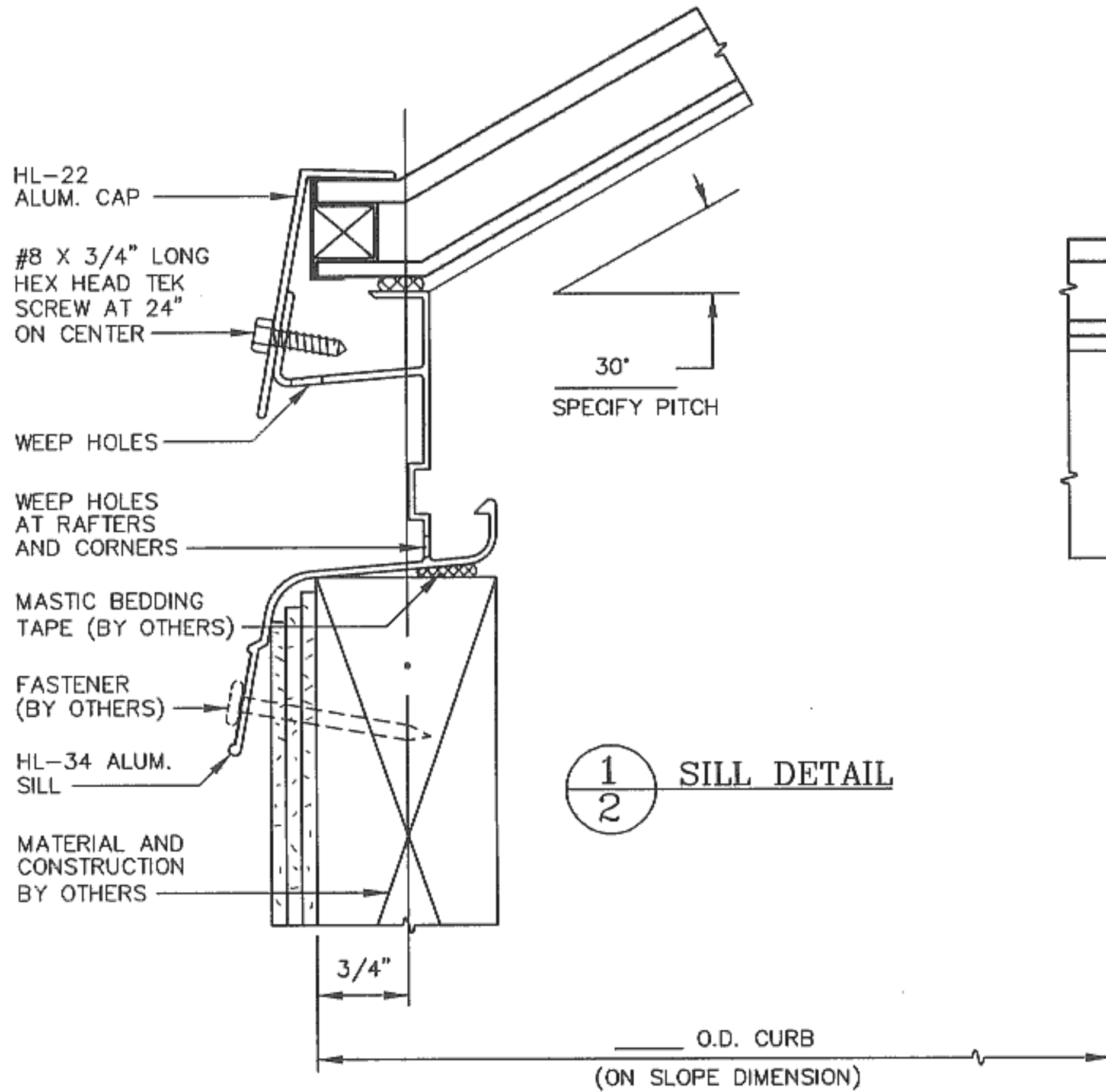


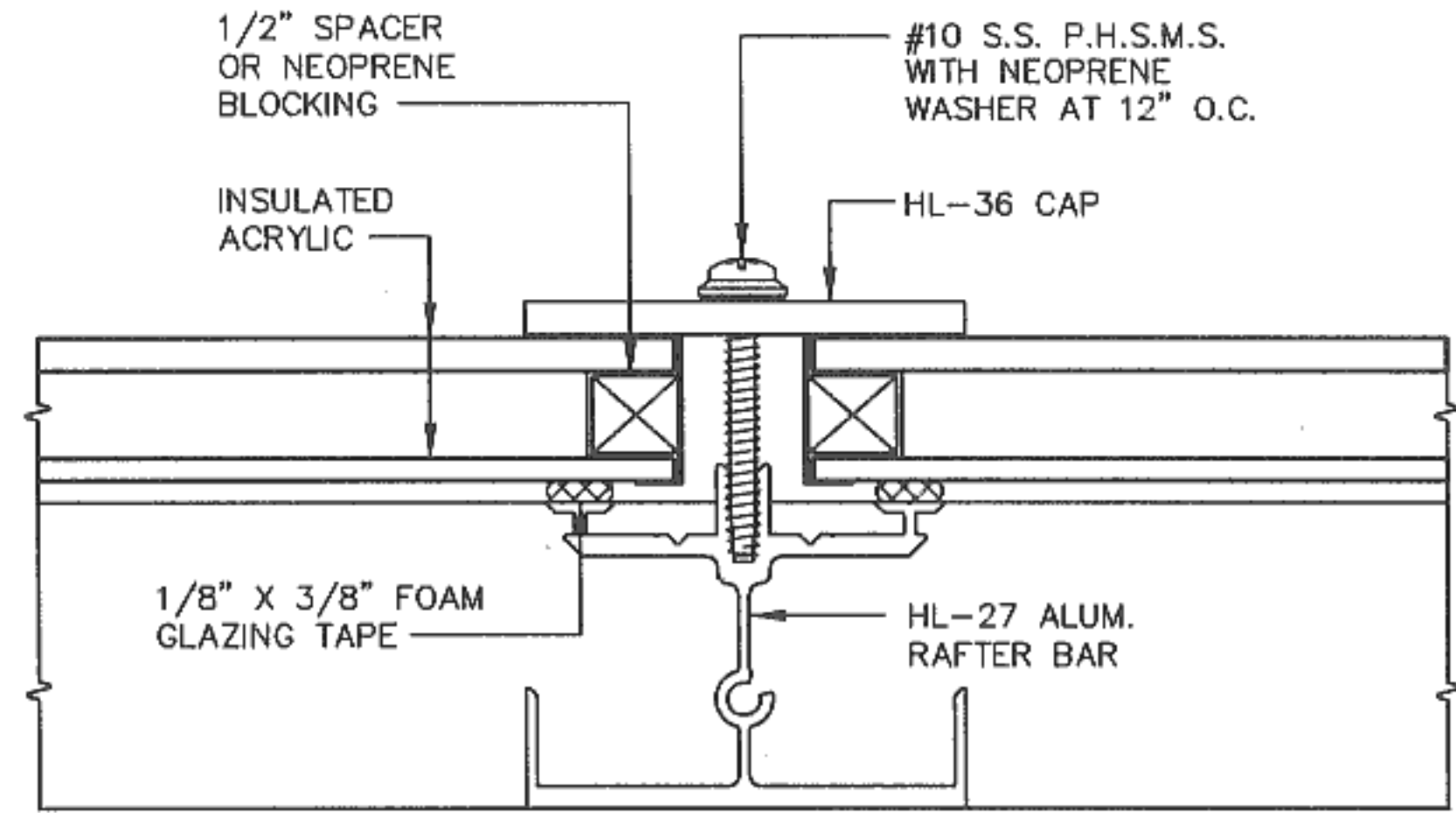
FORMED HIP & RIDGE (SHORT SPAN)

1/2 FULL SCALE

- o ACRYLIC, DOUBLE GLAZED
- o I-BEAM RAFTER (HL-27)
- o 30° STANDARD



1
2 SILL DETAIL



2
2 RAFTER DETAIL

NOTE:
UNLIKE GLASS, A TRUE HERMETIC SEAL CANNOT BE ATTAINED WITH DOUBLE GLAZED ACRYLIC, SOME CONDENSATION MAY DEVELOPE. CLEAN ONLY WITH RECOMMENDED CLEANING SOLUTIONS.

ICBO #: 3710

FINISH : GLAZING : <input type="checkbox"/> FIELD GLAZED FIELD MEASUREMENTS <input type="checkbox"/> SHOP GLAZED AND INSTALLATION BY _____	PROJECT : CUSTOMER : ARCHITECT :	FILE : HL34ADG4 REVISIONS
-----------------------------------------------------------------------------------------------------------------------------------------------------------------------	------------------------------------------------	----------------------------------

O'KEEFFE'S, INC.	75 WILLIAMS AVENUE SAN FRANCISCO, CA 94124 TEL.: (415) 822-4222 FAX: (415) 822-5222	DRAWN : DATE :	JOB NO. SHEET : <u>2</u> OF <u>2</u>
-------------------------	----------------------------------------------------------------------------------------------	-----------------------	----------------------------------------------------