

FORMED RIDGE WITH PLUMB CURB (SHORT SPAN)

1/2 FULL SCALE

- o ACRYLIC, DOUBLE GLAZED
- o I-BEAM RAFTER (HL-27)
- o MIN. 4 IN 12 PITCH RECOMMENDED

UNITS REQUIRED

NEOPRENE SETTING BLOCKS AT 1/4 POINTS

.040 ALUM. SETTING BLOCK SUPPORT

#8 X 3/4" LONG HEX HEAD TEK SCREW AT 24" ON CENTER

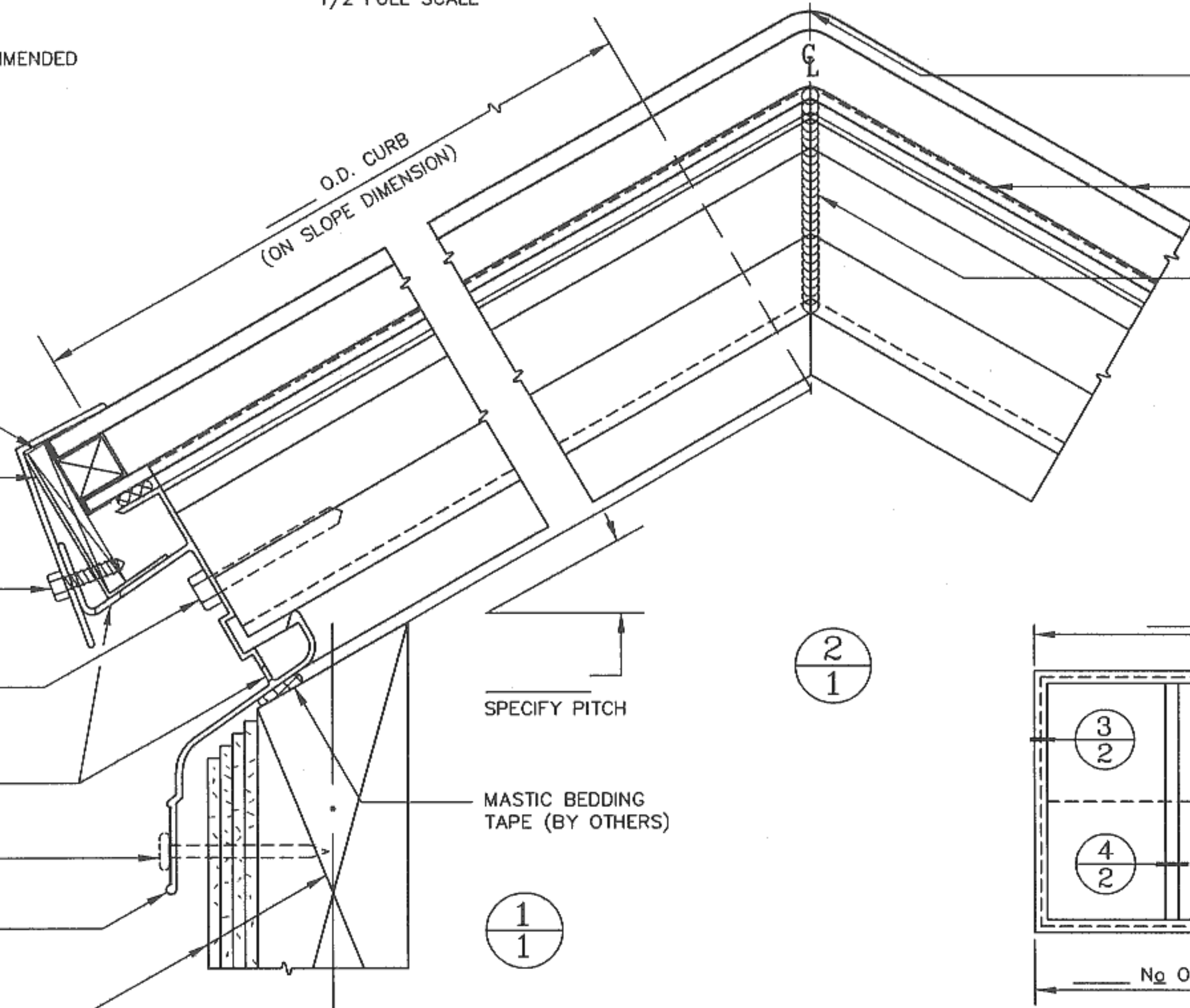
#12 X 1 1/4" STAINLESS STEEL SHEET METAL SCREW

WEEP HOLES AT RAFTERS & CORNERS

FASTENER (BY OTHERS)

MODIFIED HL-34 ALUMINUM SILL

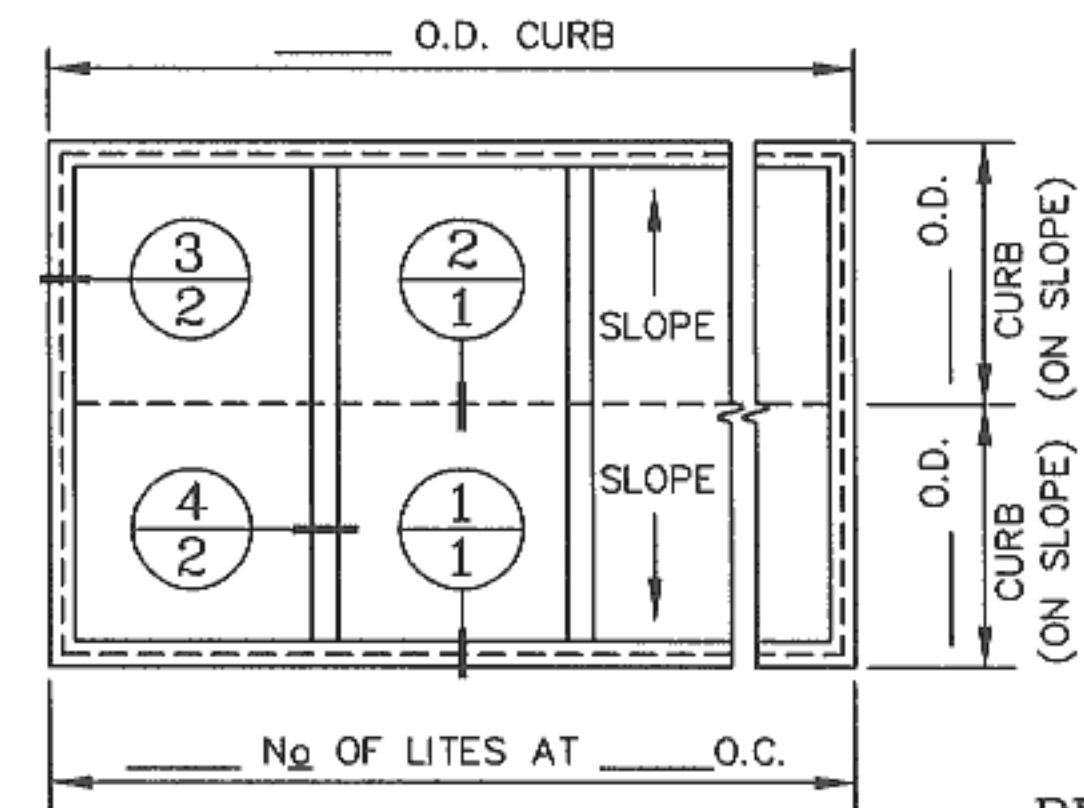
MATERIAL AND CONSTRUCTION BY OTHERS



"STRIP" FORMED ACRYLIC RIDGE

DOUBLE ACRYLIC

WELD HL-27 AT RIDGE



PLAN

FINISH :		PROJECT :	FILE : HL34ADG1
GLAZING :		CUSTOMER :	REVISIONS
<input type="checkbox"/> FIELD GLAZED FIELD MEASUREMENTS AND INSTALLATION BY _____ <input type="checkbox"/> SHOP GLAZED		ARCHITECT :	
		75 WILLIAMS AVENUE SAN FRANCISCO, CA 94124 TEL.: (415) 822-4222 FAX: (415) 822-5222	DRAWN :
			DATE :
			JOB NO.
			SHEET : _____ OF _____